

09	09.3.3	Yoshimoto	Miyoshi	Fujioka	Refere to REVISION RECORD.	TITLE	fi-6140/fi-6240/fi-6130/fi-6230/fi-614PR ILLUSTRATED PARTS CATALOGUE	
08	09.2.2	Okada	Anzai	Fujioka	Piece parts (P/N) changed.			
10	09.6.10	Yoshimoto	Miyoshi	Fujioka	Refere to REVISION RECORD.	DRAW No.	P4PA03540-BXXX/6	CUST
Rev	DATE	DESIG	CHECK	APPR	DESCRIPTION		PFU LIMITED	
DESIGN	07.7.2	Okada	CHECK	Okada	APPR	Anzai		

fi-6140/fi-6240/fi-6130/fi-6230, IMAGE SCANNER
fi-614PR, IMPRINTER (Option)
ILLUSTRATED PARTS CATALOGUE

09	09.3.3	Yoshimoto	Miyoshi	Fujioka	Refre to REVISION RECORD.	TITLE	fi-6140/fi-6240/fi-6130/fi-6230/fi-614PR ILLUSTRATED PARTS CATALOGUE
08	09.2.2	Okada	Anzai	Fujioka	Piece parts (P/N) changed.		
10	09.6.10	Yoshimoto	Miyoshi	Fujioka	Refre to REVISION RECORD.	DRAW No.	P4PA03540-BXXX/6 CUST
Rev	DATE	DESIG	CHECK	APPR	DESCRIPTION		
DESIGN	07.7.2	Okada	CHECK	Okada	APPR	Anzai	PFU LIMITED

REVISION RECORD		
Edition	Data published	Revised contents
Draft 01	July 20, 2007	Draft 01 released
01	July 27, 2007	First edition
02	August 28, 2007	Layout changed.
03	November 30, 2007	fi-6130/fi-6230/fi-614PR added.
04	December 7, 2007	Fig.4, 6, 15, 19, 21, 22 and 24 revised (printed in red).
05	January 21, 2008	Fig.6, 9, 11 and 16: Piece parts added. Fig.28: Screw dimension changed. Fig.31 added.
06	March 28, 2008	Fig.4: Part number (TOP COVER LID L) changed.
07	December 1, 2008	Fig.6, 11: Piece parts added (<- P0208A02666) Fig.21, 22: SRK LYNX3 deleted. (<-P0208A02129)
08	February 2, 2009	Fig.7, 11: Piece Part numbers changed. (P0209A00003)
09	March 3, 2009	Fig.18: Piece Parts added. (P0209A00531)
10	June 10, 2009	Fig.5, 7: Piece Parts added. (P0209A01281)

The contents of this manual are subject to change without prior notice.
All Rights Reserved. Copyright © PFU LIMITED, 2007-2009

09	09.3.3	Yoshimoto	Miyoshi	Fujioka	Refere to REVISION RECORD.	TITLE	fi-6140/fi-6240/fi-6130/fi-6230/fi-614PR
08	09.2.2	Okada	Anzai	Fujioka	Piece parts (P/N) changed.		ILLUSTRATED PARTS CATALOGUE
10	09.6.10	Yoshimoto	Miyoshi	Fujioka	Refere to REVISION RECORD.	DRAW No.	P4PA03540-BXXX/6
Rev	DATE	DESIG	CHECK	APPR	DESCRIPTION		CUST
DESIGN	07.7.2	Okada	CHECK	Okada	APPR	Anzai	PFU LIMITED

HOW TO USE THIS MANUAL

ILLUSTRATION

The illustration gives an exploded view of an assembly, and separate parts and how they fit together. Each part has a number corresponding to that in "INDEX NO. column" on the parts list.

PARTS LIST

(1) INDEX NO

The index number corresponds with a part number in the illustration.

- When the mark 'S' precedes the index number, the part is a Recommended Spare Part or a Consumable.
- When the mark 'P' precede the index number, the part is a Spare Parts for Repair.
- Do not confuse two parts with the same index number, because a Recommended Spare Part and a Spare Parts for Repair may have the same index number.
- When blank, although the QUANTITY and SPECIFICATION are given, a whole of that part is not shown in the illustration or that part is illustrated for detail breakdown in the other page.
- When a '-' is given in this column, the part is not shown in the illustration.

(2) COMPOSITION & QUANTITY

This column shows the relationship among units, assemblies, subassemblies, and parts. A unit indicated in a column is assembled by the parts or units indicated in the next right column. The figure is the value of the parts needed to assemble into the higher assembly.

(3) SPECIFICATIONS

This column shows part number of the units, or parts.

(4) DESCRIPTION

The part name, applicable device number, and other information are given in this column.

NOTE:

Newly added/changed parts may not be revised in this parts catalogue, RSPL and SPLR at the same time because it takes a few weeks for pricing.

09	09.3.3	Yoshimoto	Miyoshi	Fujioka	Refre to REVISION RECORD.	TITLE	fi-6140/fi-6240/fi-6130/fi-6230/fi-614PR ILLUSTRATED PARTS CATALOGUE	
08	09.2.2	Okada	Anzai	Fujioka	Piece parts (P/N) changed.			
10	09.6.10	Yoshimoto	Miyoshi	Fujioka	Refre to REVISION RECORD.	DRAW No.	P4PA03540-BXXX/6	CUST
Rev	DATE	DESIG	CHECK	APPR	DESCRIPTION			
DESIGN	07.7.2	Okada	CHECK	Okada	APPR	Anzai	PFU LIMITED	

MODELS

fi-6140/fi-6240/fi-6130/fi-6230		
Destination	Model Number	Remarks
Europe	PA03540-B001/B501/B051/B551	
North America	PA03540-B002/B502/B052/B552	
FCPA	PA03540-B005/B505/B055/B555	
FHK	PA03540-B007/B507/B057/B557	

fi-614PR		
Destination	Model Number	Remarks
	PA03540-D201	

09	09.3.3	Yoshimoto	Miyoshi	Fujioka	Refere to REVISION RECORD.		TITLE	fi-6140/fi-6240/fi-6130/fi-6230/fi-614PR		
08	09.2.2	Okada	Anzai	Fujioka	Piece parts (P/N) changed.			ILLUSTRATED PARTS CATALOGUE		
10	09.6.10	Yoshimoto	Miyoshi	Fujioka	Refere to REVISION RECORD.		DRAW No.	P4PA03540-BXXX/6	CUST	
Rev	DATE	DESIG	CHECK	APPR	DESCRIPTION				PFU LIMITED	
DESIGN	07.7.2	Okada	CHECK	Okada	APPR	Anzai				

CONTENTS

ILLUSTRATION

fi-6140/fi-6240, IMAGE SCANNER

Figure 1	FINAL ASSEMBLY (fi-6240/fi-6230)	6
Figure 2	FINAL ASSEMBLY (fi-6140/fi-6130)	8
Figure 3	SCAN UNIT	10
Figure 4	UPPER UNIT (1/4)	12
Figure 5	UPPER UNIT (2/4)	14
Figure 6	UPPER UNIT (3/4)	16
Figure 7	UPPER UNIT (4/4)	18
Figure 8	BASE UNIT (1/4)	20
Figure 9	BASE UNIT (2/4)	22
Figure 10	BASE UNIT (3/4)	24
Figure 11	BASE UNIT (4/4)	26
Figure 12	(Reserved)	28
Figure 13	(Reserved)	29
Figure 14	STACKER UNIT (fi-6140/fi-6130)	30

fi-614PR, IMPRINTER (Option)

Figure 23	IMPRINTER (1/2)	48
Figure 24	IMPRINTER (2/2)	50
Figure 25	PACKAGE (fi-614PR)	52

fi-6140/fi-6240, IMAGE SCANNER

Figure 15	CONTROL PCA	32
Figure 16	FB (fi-6240/fi-6230) (1/5)	34
Figure 17	FB (fi-6240/fi-6230) (2/5)	36
Figure 18	FB (fi-6240/fi-6230) (3/5)	38
Figure 19	FB (fi-6240/fi-6230) (4/5)	40
Figure 20	FB (fi-6240/fi-6230) (5/5)	42
Figure 21	PACKAGE (fi-6140/fi-6130)	44
Figure 22	PACKAGE (fi-6240/fi-6230)	46

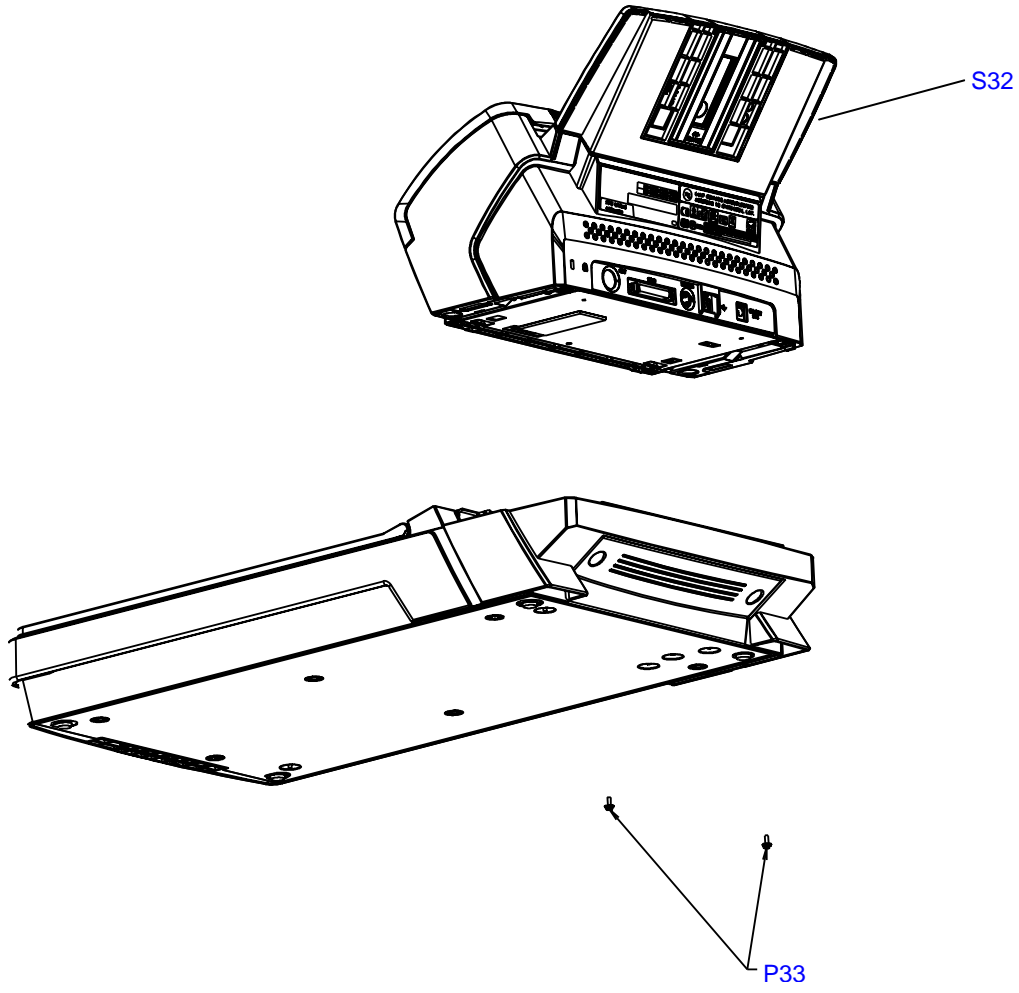
SCREWS

Figure 26	PT SCREW	54
Figure 27	SCREW	54
Figure 28	SCREW	55
Figure 29	SCREW	55
Figure 30	E RING	56
Figure 31	SCREW	56

S: Recommended Spare Parts
P: Spare Parts for Repair

09	09.3.3	Yoshimoto	Miyoshi	Fujioka	Refre to REVISION RECORD.	TITLE	fi-6140/fi-6240/fi-6130/fi-6230/fi-614PR	
08	09.2.2	Okada	Anzai	Fujioka	Piece parts (P/N) changed.		ILLUSTRATED PARTS CATALOGUE	
						DRAW No.	P4PA03540-BXXX/6	CUST
10	09.6.10	Yoshimoto	Miyoshi	Fujioka	Refre to REVISION RECORD.			
Rev	DATE	DESIG	CHECK	APPR	DESCRIPTION		PFU LIMITED	
DESIGN	07.7.2	Okada	CHECK	Okada	APPR	Anzai		

Figure 1 FINAL ASSEMBLY (fi-6240/fi-6230)



Application: -B50X

S: Recommended Spare Parts
P: Spare Parts for Repair

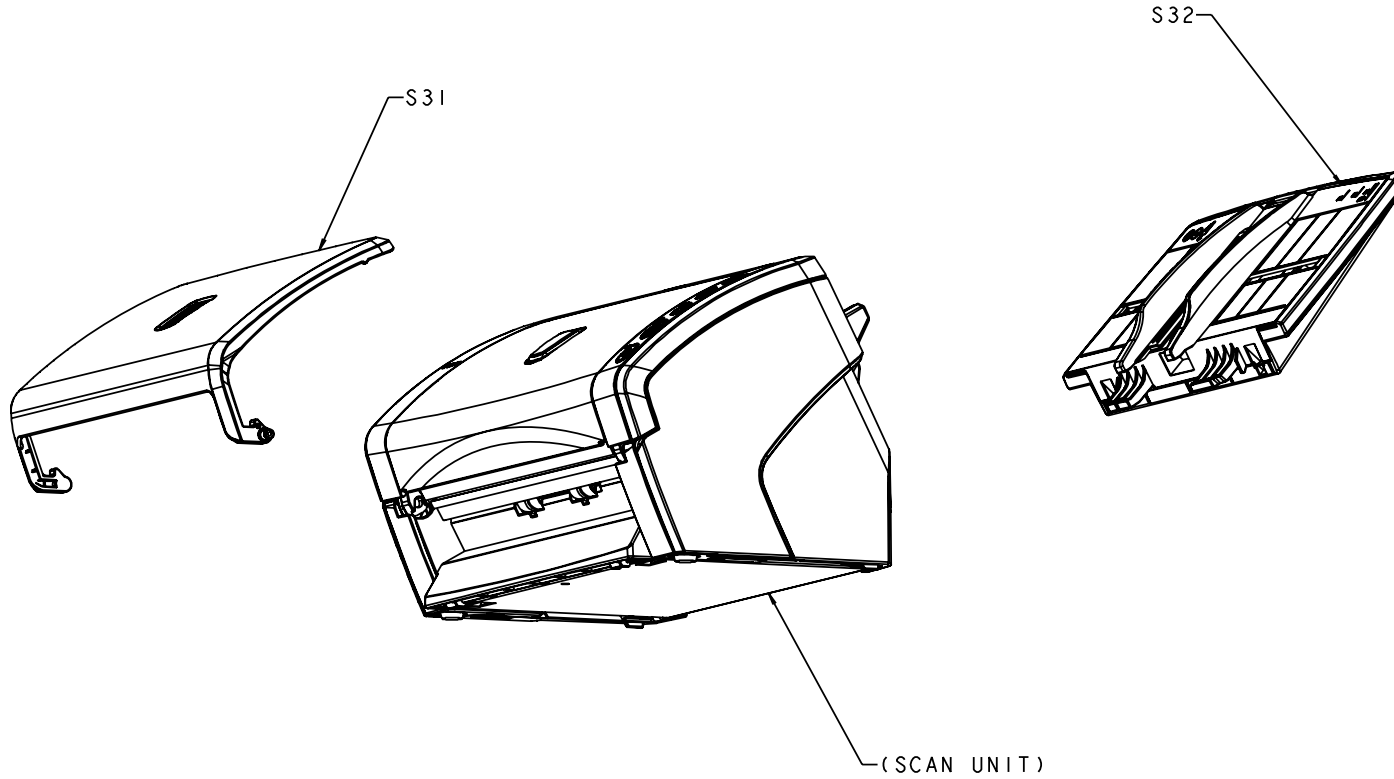
09	09.3.3	Yoshimoto	Miyoshi	Fujioka	Refre to REVISION RECORD.	TITLE	fi-6140/fi-6240/fi-6130/fi-6230/fi-614PR	
08	09.2.2	Okada	Anzai	Fujioka	Piece parts (P/N) changed.		ILLUSTRATED PARTS CATALOGUE	
10	09.6.10	Yoshimoto	Miyoshi	Fujioka	Refre to REVISION RECORD.	DRAW No.	P4PA03540-BXXX/6	CUST
Rev	DATE	DESIG	CHECK	APPR	DESCRIPTION		PFU LIMITED	
DESIGN	07.7.2	Okada	CHECK	Okada	APPR	Anzai		

Figure 1 FINAL ASSEMBLY (fi-6240/fi-6230)

INDEX NO.	COMPOSITION & QUANTITY	SPECIFICATION	DESCRIPTION	REMARKS
S 32	1	PA03540-E905	CHUTER UNIT	
P 33	2	RU6SW2N3-08121	SCREW	Figure 24 SCREW

S: Recommended Spare Parts
P: Spare Parts for Repair

Figure 2 FINAL ASSEMBLY (fi-6140/fi-6130)



09	09.3.3	Yoshimoto	Miyoshi	Fujioka	Refre to REVISION RECORD.	TITLE	fi-6140/fi-6240/fi-6130/fi-6230/fi-614PR	
08	09.2.2	Okada	Anzai	Fujioka	Piece parts (P/N) changed.		ILLUSTRATED PARTS CATALOGUE	
						DRAW No.	P4PA03540-BXXX/6	CUST
10	09.6.10	Yoshimoto	Miyoshi	Fujioka	Refre to REVISION RECORD.			
Rev	DATE	DESIG	CHECK	APPR	DESCRIPTION		PFU LIMITED	
DESIGN	07.7.2	Okada	CHECK	Okada	APPR	Anzai		

Application: -B00X

S: Recommended Spare Parts
P: Spare Parts for Repair

09	09.3.3	Yoshimoto	Miyoshi	Fujioka	Refere to REVISION RECORD.	TITLE	fi-6140/fi-6240/fi-6130/fi-6230/fi-614PR	
08	09.2.2	Okada	Anzai	Fujioka	Piece parts (P/N) changed.		ILLUSTRATED PARTS CATALOGUE	
10	09.6.10	Yoshimoto	Miyoshi	Fujioka	Refere to REVISION RECORD.	DRAW No.	P4PA03540-BXXX/6	CUST
Rev	DATE	DESIG	CHECK	APPR	DESCRIPTION		PFU LIMITED	
DESIGN	07.7.2	Okada	CHECK	Okada	APPR Anzai			

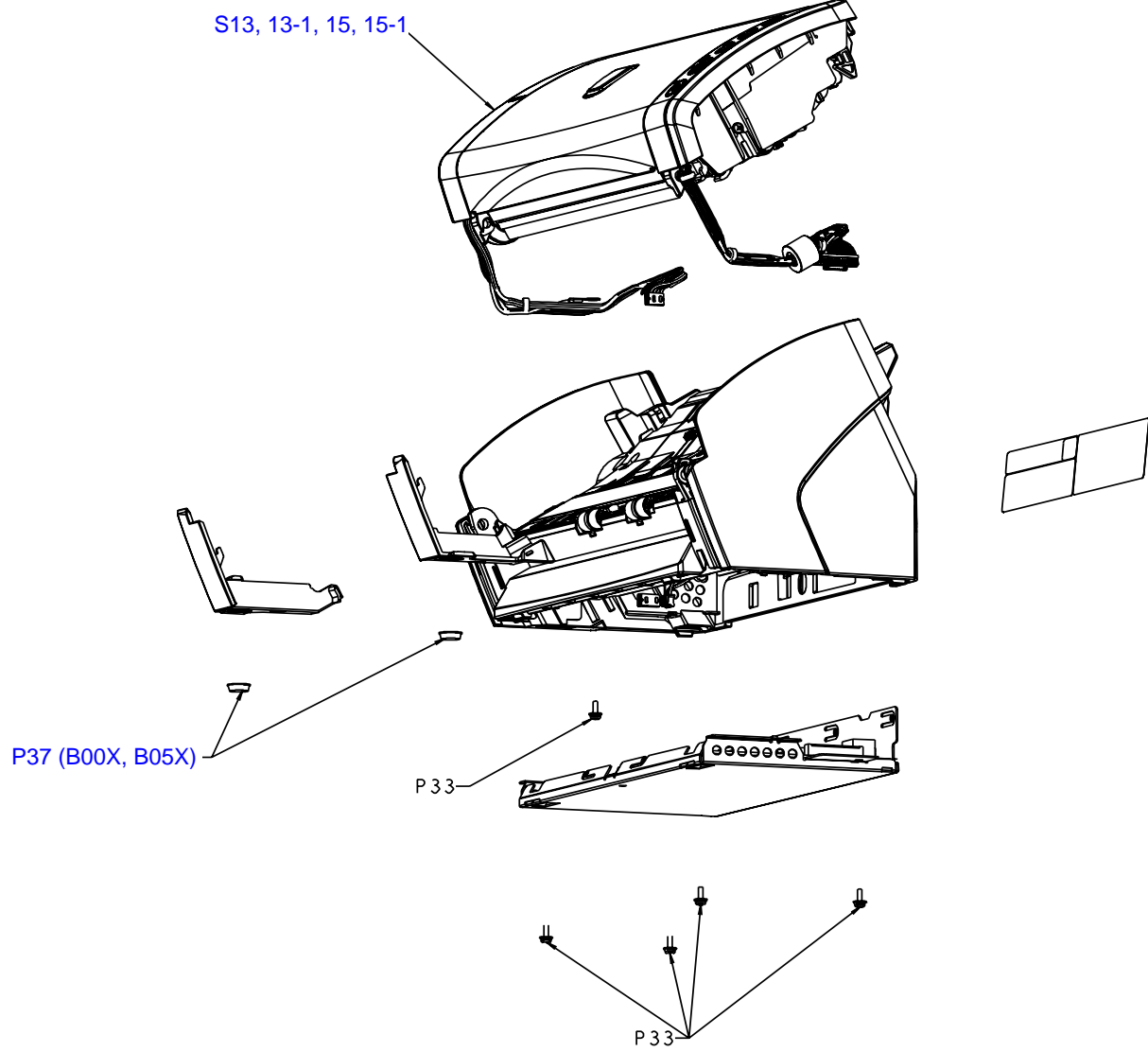
Figure 2 FINAL ASSEMBLY (fi-6140/fi-6130)

INDEX NO.	COMPOSITION & QUANTITY	SPECIFICATION	DESCRIPTION	REMARKS
S 31	1	PA03540-E904	STACKER UNIT	
S 32	1	PA03540-E905	CHUTER UNIT	

S: Recommended Spare Parts
P: Spare Parts for Repair

09	09.3.3	Yoshimoto	Miyoshi	Fujioka	Refre to REVISION RECORD.	TITLE	fi-6140/fi-6240/fi-6130/fi-6230/fi-614PR	
08	09.2.2	Okada	Anzai	Fujioka	Piece parts (P/N) changed.		ILLUSTRATED PARTS CATALOGUE	
10	09.6.10	Yoshimoto	Miyoshi	Fujioka	Refre to REVISION RECORD.	DRAW No.	P4PA03540-BXXX/6	CUST
Rev	DATE	DESIG	CHECK	APPR	DESCRIPTION		PFU LIMITED	
DESIGN	07.7.2	Okada	CHECK	Okada	APPR	Anzai		

Figure 3 SCAN UNIT



S: Recommended Spare Parts
P: Spare Parts for Repair

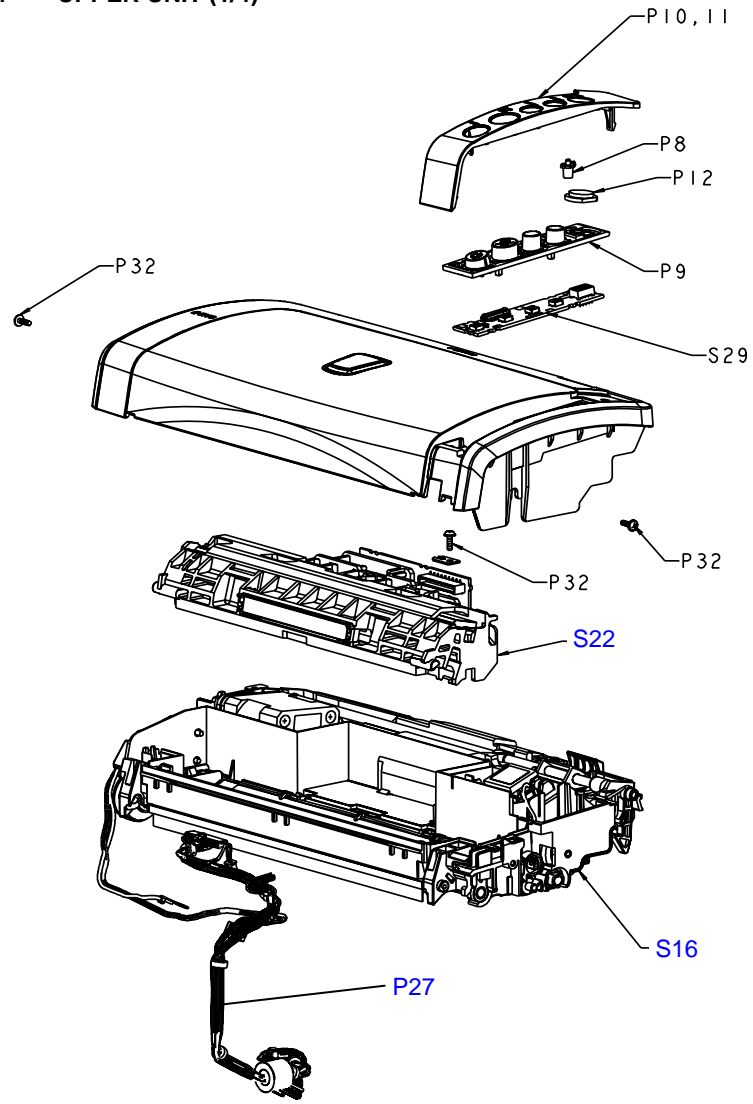
09	09.3.3	Yoshimoto	Miyoshi	Fujioka	Refre to REVISION RECORD.	TITLE	fi-6140/fi-6240/fi-6130/fi-6230/fi-614PR ILLUSTRATED PARTS CATALOGUE	
08	09.2.2	Okada	Anzai	Fujioka	Piece parts (P/N) changed.		DRAW No.	P4PA03540-BXXX/6
10	09.6.10	Yoshimoto	Miyoshi	Fujioka	Refre to REVISION RECORD.	PFU LIMITED		
Rev	DATE	DESIG	CHECK	APPR	DESCRIPTION			
DESIGN	07.7.2	Okada	CHECK	Okada	APPR Anzai			

Figure 3 SCAN UNIT

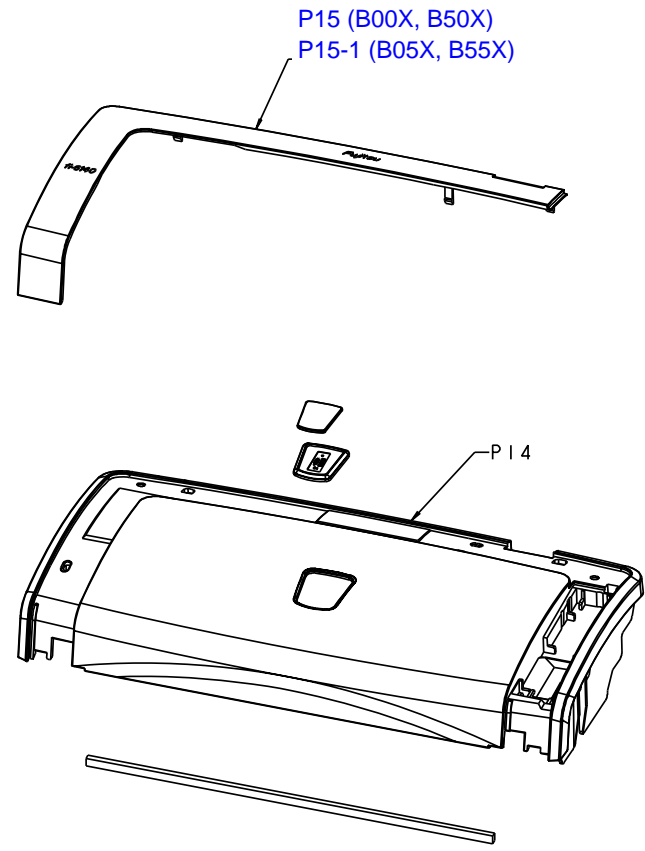
INDEX NO.	COMPOSITION & QUANTITY				SPECIFICATION	DESCRIPTION	REMARKS
S 13	1				PA03540-D961	UPPER UNIT	for -B001, -B002, -B005
S 13-1	1				PA03540-D981	UPPER UNIT L	for -B051, -B052, -B055
S 15	1				PA03540-D967	UPPER UNIT C	for -B007
S 15-1	1				PA03540-D987	UPPER UNIT LC	for -B057
S 13	1				PA03540-D971	UPPER UNIT	for -B501, -B502, -B505
S 13-1	1				PA03540-D991	UPPER UNIT L	for -B551, -B552, -B555
S 15	1				PA03540-D977	UPPER UNIT C	for -B507
S 15-1	1				PA03540-D997	UPPER UNIT LC	for -B557
P 33	5				RU6SW2N3-08121	SCREW	Figure 24 SCREW
P 37	2				PA03002-Y020	RUBBER PEDESTAL	for -B00X, -B05X

S: Recommended Spare Parts
P: Spare Parts for Repair

Figure 4 UPPER UNIT (1/4)



09	09.3.3	Yoshimoto	Miyoshi	Fujioka	Refre to REVISION RECORD.	TITLE	fi-6140/fi-6240/fi-6130/fi-6230/fi-614PR	
08	09.2.2	Okada	Anzai	Fujioka	Piece parts (P/N) changed.		ILLUSTRATED PARTS CATALOGUE	
10	09.6.10	Yoshimoto	Miyoshi	Fujioka	Refre to REVISION RECORD.	DRAW No.	P4PA03540-BXXX/6	CUST
Rev	DATE	DESIG	CHECK	APPR	DESCRIPTION	PFU LIMITED		
DESIGN	07.7.2	Okada	CHECK	Okada	APPR Anzai			



S: Recommended Spare Parts
P: Spare Parts for Repair

09	09.3.3	Yoshimoto	Miyoshi	Fujioka	Refre to REVISION RECORD.	TITLE	fi-6140/fi-6240/fi-6130/fi-6230/fi-614PR	
08	09.2.2	Okada	Anzai	Fujioka	Piece parts (P/N) changed.		ILLUSTRATED PARTS CATALOGUE	
10	09.6.10	Yoshimoto	Miyoshi	Fujioka	Refre to REVISION RECORD.	DRAW No.	P4PA03540-BXXX/6	CUST
Rev	DATE	DESIG	CHECK	APPR	DESCRIPTION		PFU LIMITED	
DESIGN	07.7.2	Okada	CHECK	Okada	APPR	Anzai		

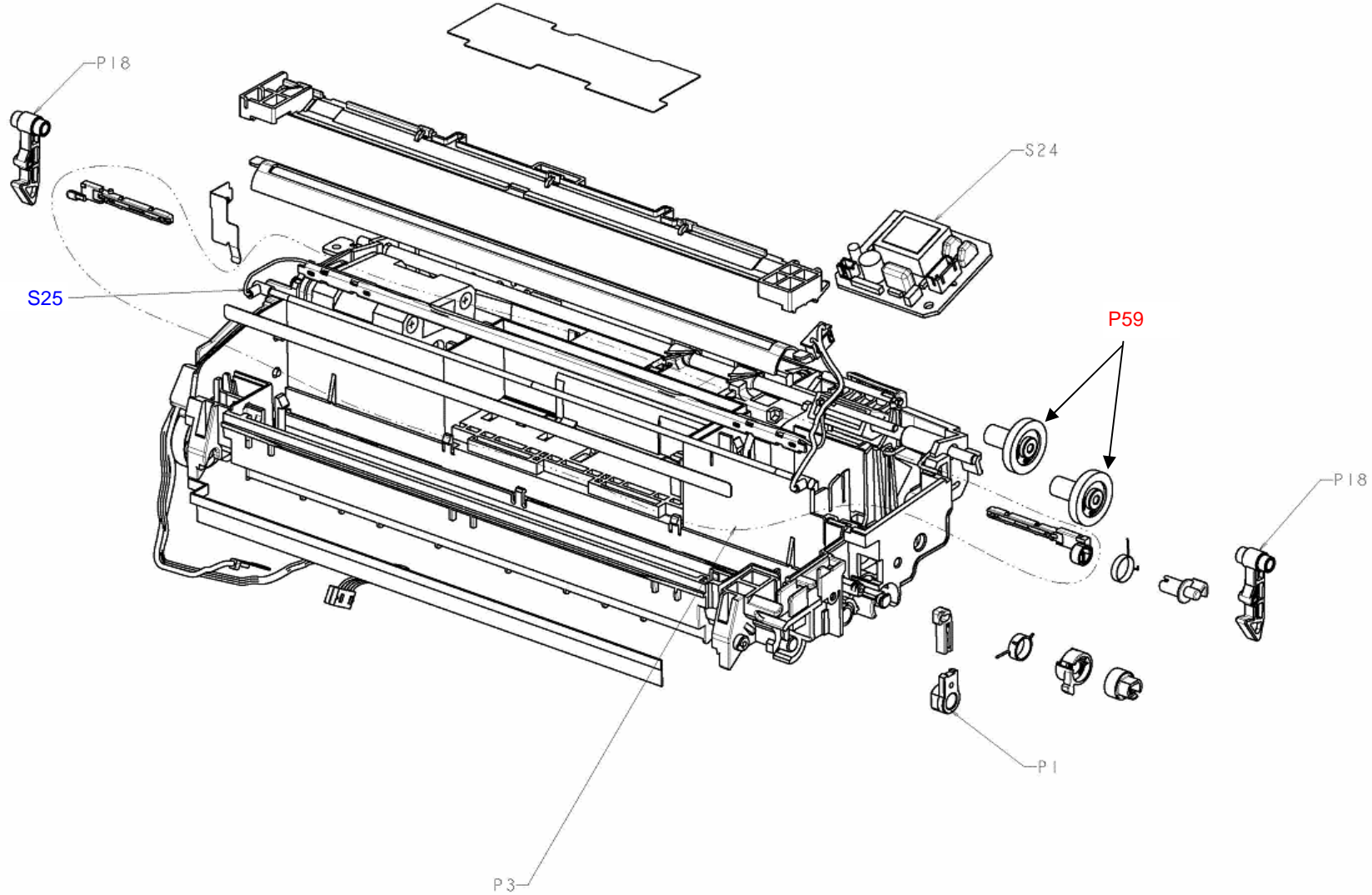
Figure 4 UPPER UNIT (1/4)

INDEX NO.	COMPOSITION & QUANTITY				SPECIFICATION	DESCRIPTION	REMARKS
S 16	1				PA03540-E931	UPPER ASSY	OPT UNIT excluded
S 22	1				PA03540-E903	OPT UNIT	
S 29	1				PA03540-K907	PANEL PCA	
P 8	1				PA03540-Y650	LED PIPE	
P 9	1				PA03540-F631	SWITCH ASSY	
P 10	1				PA03540-Y621	TOP COVER LID S	Except for models below
P 11	1				PA03540-Y627	TOP COVER LID S C	for -B007/-B507/-B057/-B557
P 12	1				PA03540-Y651	FILTER	
P 14	1				PA03540-Y601	TOP COVER	
P 15	1				PA03540-Y611	TOP COVER LID	for -B00X
P 15-1	1				PA03540-Y612	TOP COVER LID L	for -B05X
P 15	1				PA03540-Y615	TOP COVER LID	for -B50X
P 15-1	1				PA03540-Y616	TOP COVER LID L	for -B55X
P 27	1				PA70002-4211	BS HARNESS 3	
P 32	3				PA83952-5038	PT SCREW	Figure 23 PT SCREW

S: Recommended Spare Parts
P: Spare Parts for Repair

09	09.3.3	Yoshimoto	Miyoshi	Fujioka	Refre to REVISION RECORD.	TITLE	fi-6140/fi-6240/fi-6130/fi-6230/fi-614PR	
08	09.2.2	Okada	Anzai	Fujioka	Piece parts (P/N) changed.		ILLUSTRATED PARTS CATALOGUE	
10	09.6.10	Yoshimoto	Miyoshi	Fujioka	Refre to REVISION RECORD.	DRAW No.	P4PA03540-BXXX/6	CUST
Rev	DATE	DESIG	CHECK	APPR	DESCRIPTION		PFU LIMITED	
DESIGN	07.7.2	Okada	CHECK	Okada	APPR	Anzai		

Figure 5 UPPER UNIT (2/4)



S: Recommended Spare Parts
P: Spare Parts for Repair

09	09.3.3	Yoshimoto	Miyoshi	Fujioka	Refre to REVISION RECORD.	TITLE	fi-6140/fi-6240/fi-6130/fi-6230/fi-614PR	
08	09.2.2	Okada	Anzai	Fujioka	Piece parts (P/N) changed.		ILLUSTRATED PARTS CATALOGUE	
10	09.6.10	Yoshimoto	Miyoshi	Fujioka	Refre to REVISION RECORD.	DRAW No.	P4PA03540-BXXX/6	CUST
Rev	DATE	DESIG	CHECK	APPR	DESCRIPTION		PFU LIMITED	
DESIGN	07.7.2	Okada	CHECK	Okada	APPR	Anzai		

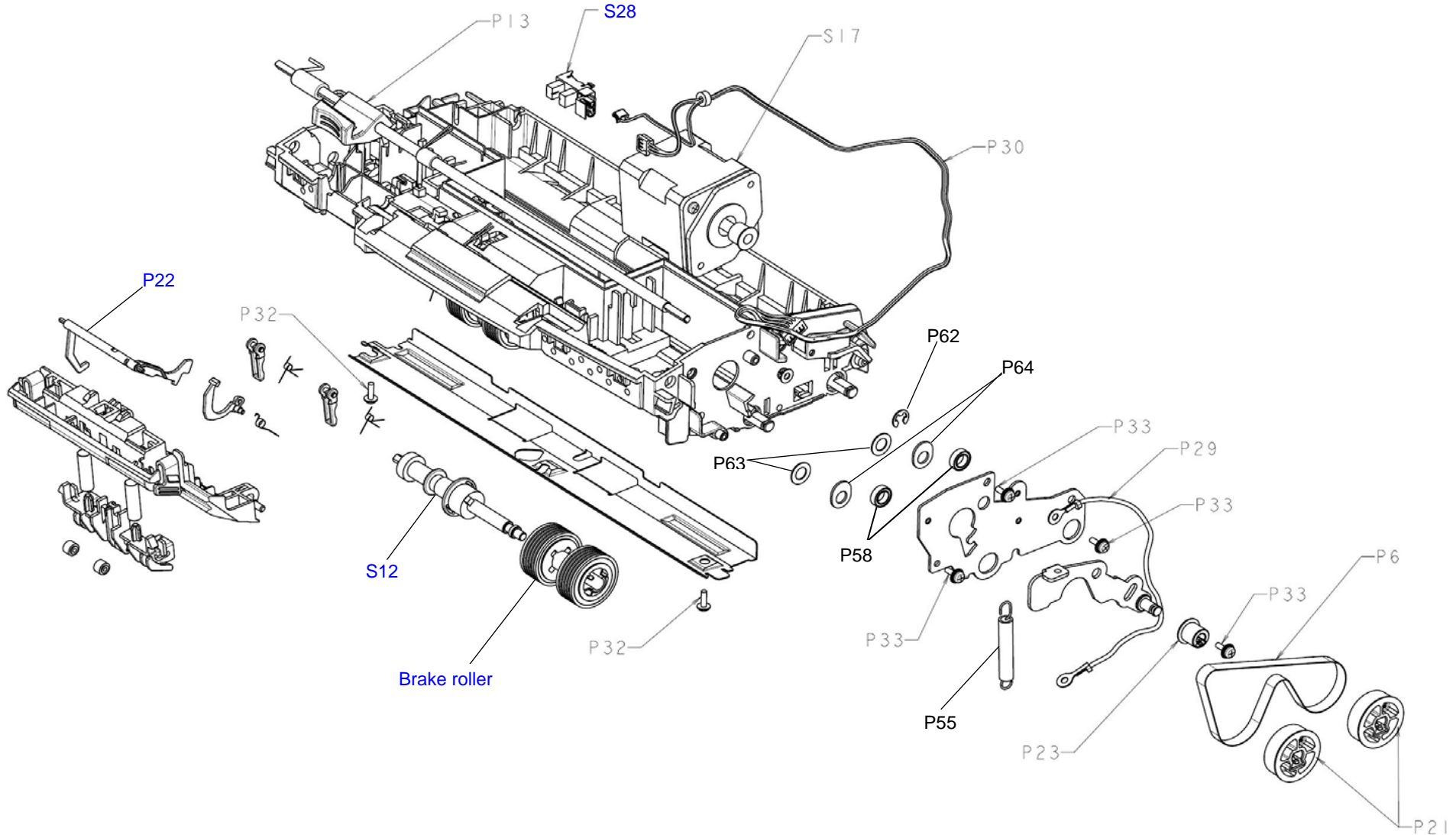
Figure 5 UPPER UNIT (2/4)

INDEX NO.	COMPOSITION & QUANTITY				SPECIFICATION	DESCRIPTION	REMARKS
S 24	1				PA03540-K910	INVERTER	
S 25	1				PA03540-K911	LAMP	
P 3	1				PA03540-F150	BW ASSY	
P 18	2				PA03540-Y010	LOCK ARM	
P 59	2				PA03540-Y024	BR REDUCE GEAR	

S: Recommended Spare Parts
P: Spare Parts for Repair

09	09.3.3	Yoshimoto	Miyoshi	Fujioka	Refre to REVISION RECORD.	TITLE	fi-6140/fi-6240/fi-6130/fi-6230/fi-614PR	
08	09.2.2	Okada	Anzai	Fujioka	Piece parts (P/N) changed.		ILLUSTRATED PARTS CATALOGUE	
10	09.6.10	Yoshimoto	Miyoshi	Fujioka	Refre to REVISION RECORD.	DRAW No.	P4PA03540-BXXX/6	CUST
Rev	DATE	DESIG	CHECK	APPR	DESCRIPTION	PFU LIMITED		
DESIGN	07.7.2	Okada	CHECK	Okada	APPR Anzai			

Figure 6 UPPER UNIT (3/4)



S: Recommended Spare Parts
P: Spare Parts for Repair

09	09.3.3	Yoshimoto	Miyoshi	Fujioka	Refre to REVISION RECORD.	TITLE	fi-6140/fi-6240/fi-6130/fi-6230/fi-614PR	
08	09.2.2	Okada	Anzai	Fujioka	Piece parts (P/N) changed.		ILLUSTRATED PARTS CATALOGUE	
10	09.6.10	Yoshimoto	Miyoshi	Fujioka	Refre to REVISION RECORD.	DRAW No.	P4PA03540-BXXX/6	CUST
Rev	DATE	DESIG	CHECK	APPR	DESCRIPTION			
DESIGN	07.7.2	Okada	CHECK	Okada	APPR	Anzai		

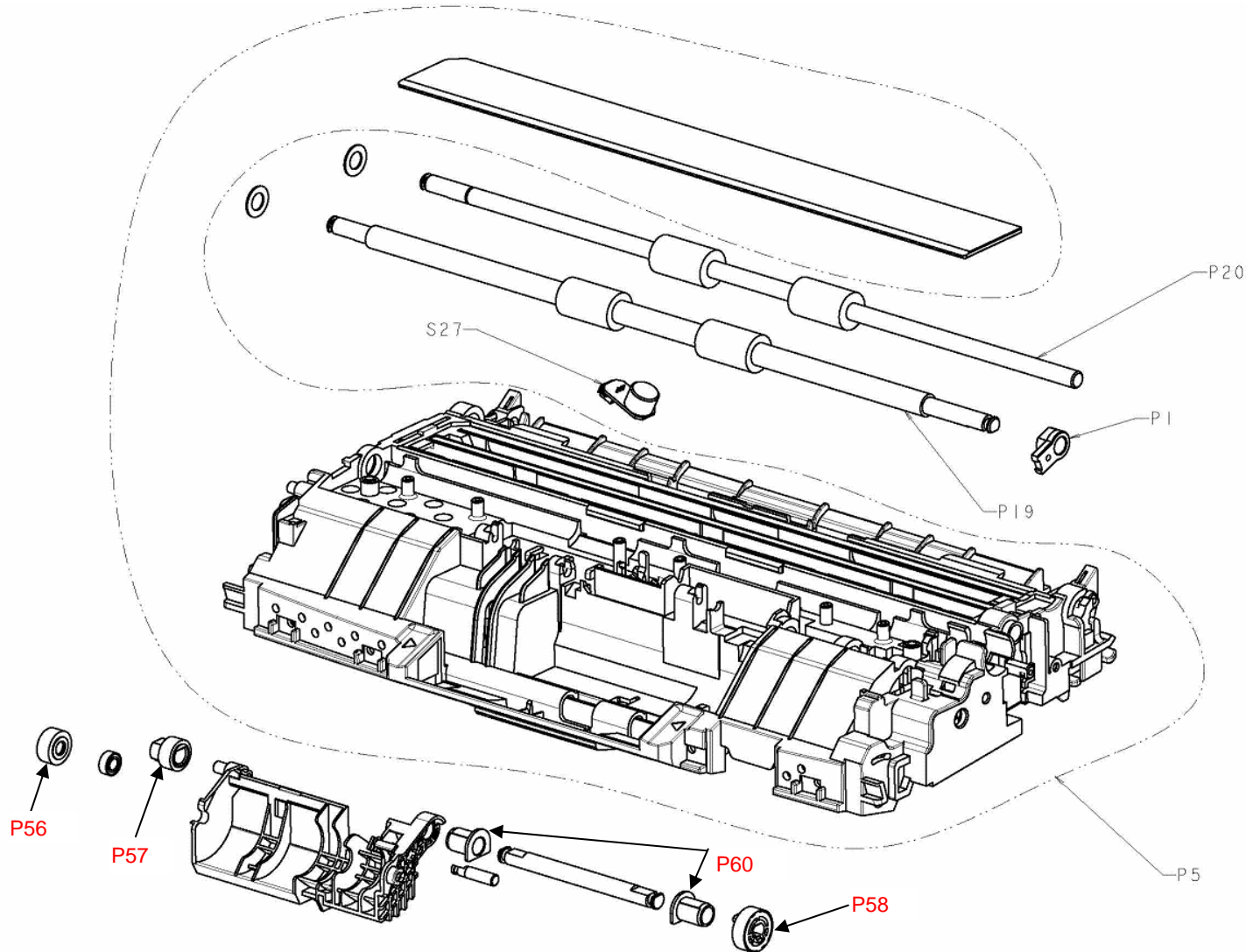
Figure 6 UPPER UNIT (3/4)

INDEX NO.	COMPOSITION & QUANTITY				SPECIFICATION	DESCRIPTION	REMARKS
S 12	1				PA03540-F905	BR SHAFT ASSY	
S 17	1				PA03540-K915	ADF MOTOR	
S 28	1				PA03540-K906	SENSOR EMP	
P 6	1				PA03951-0952	BELT	
P 13	1				PA03540-Y011	LOCK LEVER	
P 21	2				PA03540-Y002	FEED PULLEY	
P 22	1				PA03540-Y003	EMPTY ARM	
P 23	1				PA03540-Y004	COLLAR	
P 29	1				PA70002-0927	FG HARNESS2	
P 30	1				PA70002-4213	SE HARNESS B3	
P 32	2				PA83952-5038	PT SCREW	Figure 23 PT SCREW
P 33	4				RU6SW2N3-08121	SCREW	Figure 24 SCREW
P 55	1				PA03540-Y086	TENSION SPRING2	
P 58	2				PA83953-4261	BEARING	
P 62	1				PA83952-4606	E-RING	
P 63	2				U98L-2010-0005#6.0X0.5FM	POLY SLYDER	
P 64	2				PA03338-Y317	POLY-SLYDER-D	
C -	1				PA03540-0001	BRAKE ROLLER	Consumable

S: Recommended Spare Parts
P: Spare Parts for Repair

09	09.3.3	Yoshimoto	Miyoshi	Fujioka	Refre to REVISION RECORD.	TITLE	fi-6140/fi-6240/fi-6130/fi-6230/fi-614PR	
08	09.2.2	Okada	Anzai	Fujioka	Piece parts (P/N) changed.		ILLUSTRATED PARTS CATALOGUE	
10	09.6.10	Yoshimoto	Miyoshi	Fujioka	Refre to REVISION RECORD.	DRAW No.	P4PA03540-BXXX/6	CUST
Rev	DATE	DESIG	CHECK	APPR	DESCRIPTION		PFU LIMITED	
DESIGN	07.7.2	Okada	CHECK	Okada	APPR	Anzai		

Figure 7 UPPER UNIT (4/4)



S: Recommended Spare Parts
P: Spare Parts for Repair

09	09.3.3	Yoshimoto	Miyoshi	Fujioka	Refre to REVISION RECORD.	TITLE	fi-6140/fi-6240/fi-6130/fi-6230/fi-614PR ILLUSTRATED PARTS CATALOGUE	
08	09.2.2	Okada	Anzai	Fujioka	Piece parts (P/N) changed.			
10	09.6.10	Yoshimoto	Miyoshi	Fujioka	Refre to REVISION RECORD.	DRAW No.	P4PA03540-BXXX/6	CUST
Rev	DATE	DESIG	CHECK	APPR	DESCRIPTION		PFU LIMITED	
DESIGN	07.7.2	Okada	CHECK	Okada	APPR	Anzai		

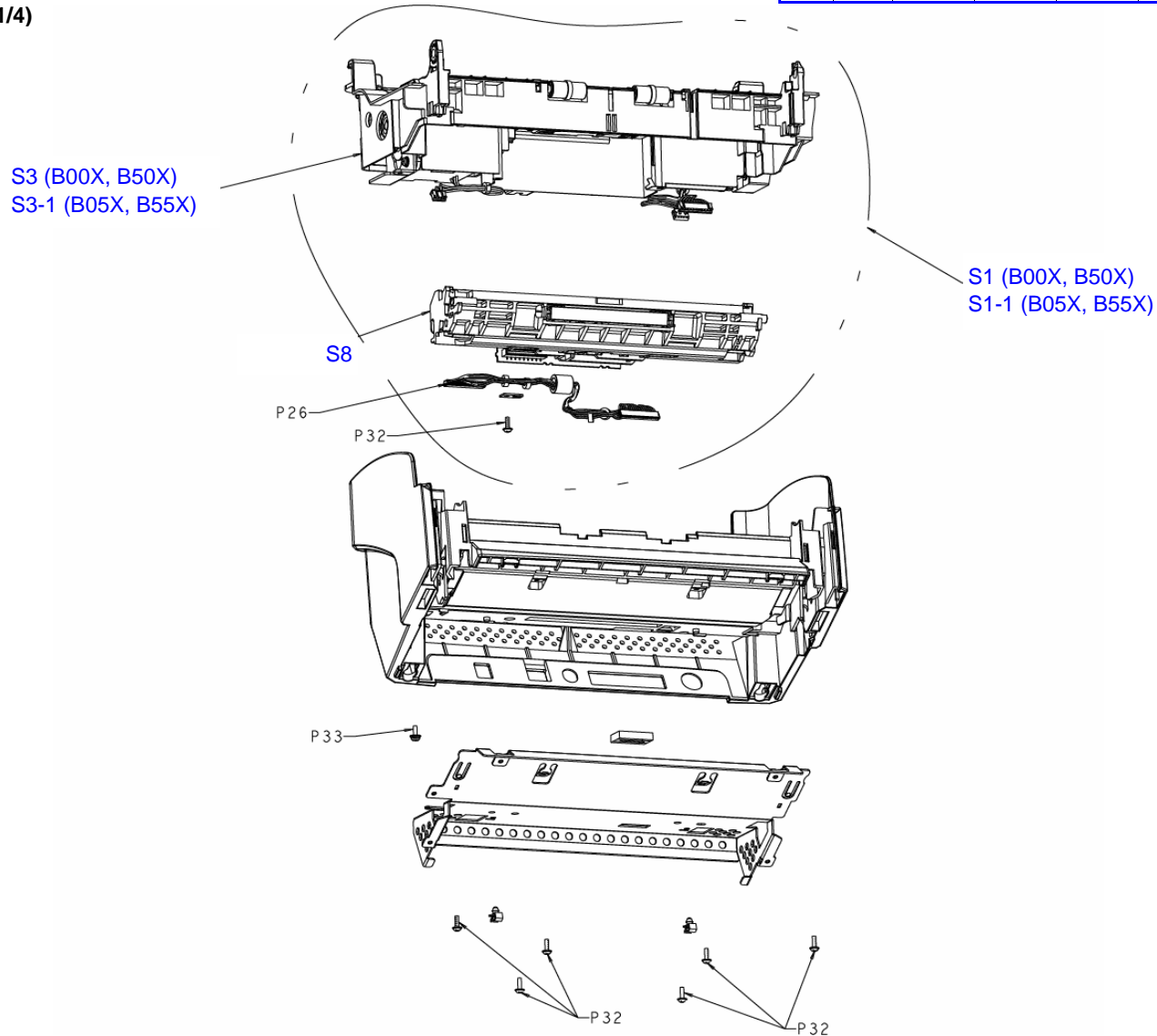
Figure 7 UPPER UNIT (4/4)

INDEX NO.	COMPOSITION & QUANTITY				SPECIFICATION	DESCRIPTION	REMARKS
S 27	1				PA03484-K905	US SENSOR RV	
P 1	1				PA03484-Y078	PICK BEARING2	
P 5	1				PA03540-F911	RV FRAME ASSY	
P 19	1				PA03540-Y075	FEED ROLLER	
P 20	1				PA03540-Y078 PA03540-G078	EXIT ROLLER6 EXIT ROLLER ASSY	
P 56	1				PA03540-Y021	BR IDLE GEAR	
P 57	1				PA03540-Y022	BR REV GEAR1	
P 58	1				PA03540-Y023	BR REV GEAR2	
P 60	2				PA03540-Y034	BEARING POM	

S: Recommended Spare Parts
P: Spare Parts for Repair

09	09.3.3	Yoshimoto	Miyoshi	Fujioka	Refre to REVISION RECORD.		TITLE	fi-6140/fi-6240/fi-6130/fi-6230/fi-614PR		
08	09.2.2	Okada	Anzai	Fujioka	Piece parts (P/N) changed.			ILLUSTRATED PARTS CATALOGUE		
10	09.6.10	Yoshimoto	Miyoshi	Fujioka	Refre to REVISION RECORD.		DRAW No.	P4PA03540-BXXX/6		
Rev	DATE	DESIG	CHECK	APPR	DESCRIPTION			PFU LIMITED		
DESIGN	07.7.2	Okada	CHECK	Okada	APPR	Anzai				

Figure 8 BASE UNIT (1/4)



S: Recommended Spare Parts
P: Spare Parts for Repair

09	09.3.3	Yoshimoto	Miyoshi	Fujioka	Refre to REVISION RECORD.	TITLE	fi-6140/fi-6240/fi-6130/fi-6230/fi-614PR	
08	09.2.2	Okada	Anzai	Fujioka	Piece parts (P/N) changed.		ILLUSTRATED PARTS CATALOGUE	
10	09.6.10	Yoshimoto	Miyoshi	Fujioka	Refre to REVISION RECORD.	DRAW No.	P4PA03540-BXXX/6	CUST
Rev	DATE	DESIG	CHECK	APPR	DESCRIPTION		PFU LIMITED	
DESIGN	07.7.2	Okada	CHECK	Okada	APPR	Anzai		

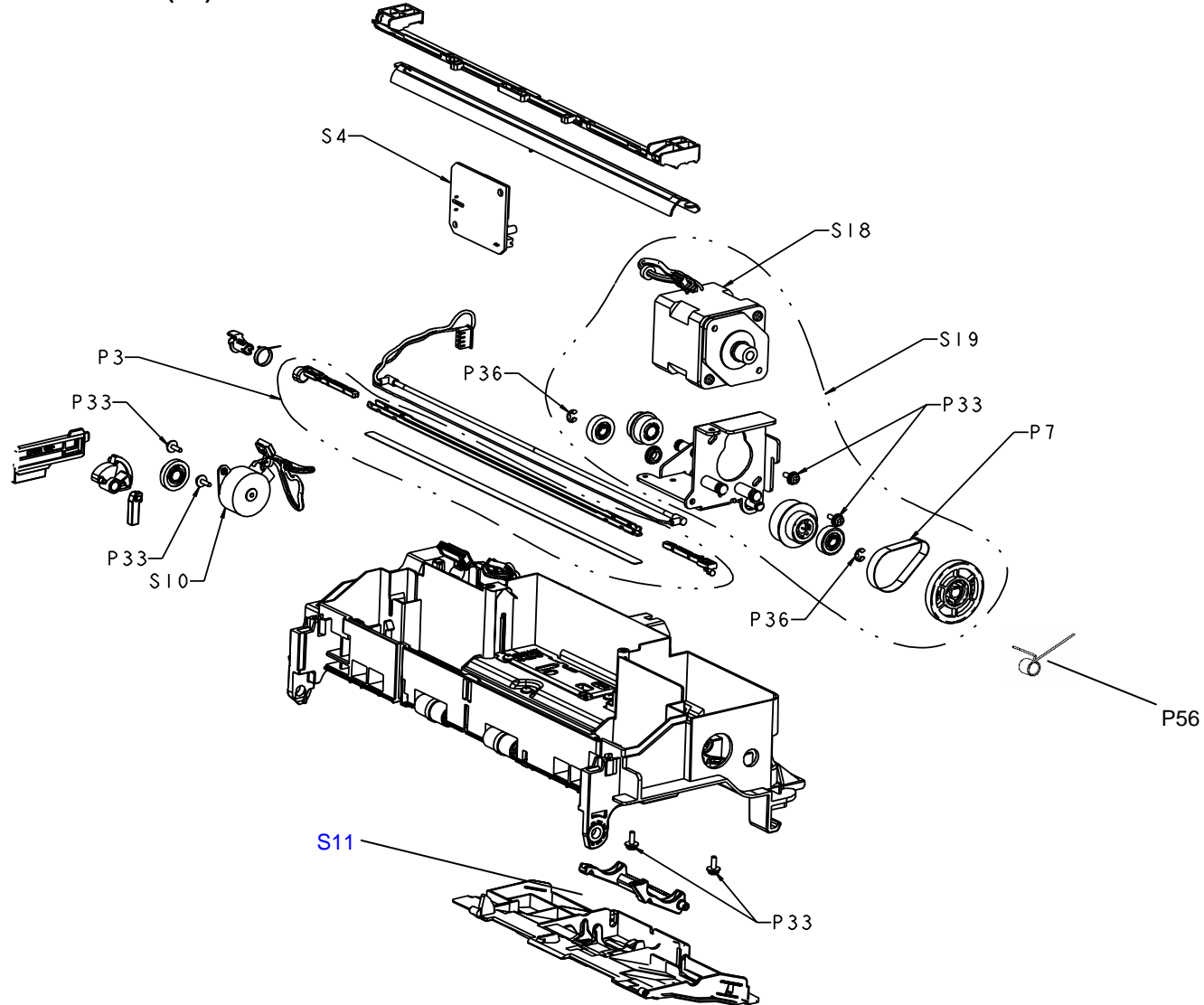
Figure 8 BASE UNIT (1/4)

INDEX NO.	COMPOSITION & QUANTITY				SPECIFICATION	DESCRIPTION	REMARKS
S 1	1				PA03540-D941	BASE UNIT	for -B00X, -B50X
S 1-1	1				PA03540-D951	BASE UNIT L	for -B05X, -B55X
S 3		1			PA03540-E941	BASE ASSY	OPT UNIT excluded, for -B00X, -B50X
3-1		1			PA03540-E951	BASE ASSY L	OPT UNIT excluded, for -B05X, -B55X
S 8		1			PA03540-E903	OPT UNIT	
P 26	1				PA70002-4210	CCD HARNESS F3	
P 32	7				PA83952-5038	PT SCREW	Figure 23 PT SCREW
P 33	1				RU6SW2N3-08121	SCREW	Figure 24 SCREW

S: Recommended Spare Parts
P: Spare Parts for Repair

09	09.3.3	Yoshimoto	Miyoshi	Fujioka	Refre to REVISION RECORD.	TITLE	fi-6140/fi-6240/fi-6130/fi-6230/fi-614PR	
08	09.2.2	Okada	Anzai	Fujioka	Piece parts (P/N) changed.		ILLUSTRATED PARTS CATALOGUE	
10	09.6.10	Yoshimoto	Miyoshi	Fujioka	Refre to REVISION RECORD.	DRAW No.	P4PA03540-BXXX/6	CUST
Rev	DATE	DESIG	CHECK	APPR	DESCRIPTION		PFU LIMITED	
DESIGN	07.7.2	Okada	CHECK	Okada	APPR	Anzai		

Figure 9 BASE UNIT (2/4)



S: Recommended Spare Parts
P: Spare Parts for Repair

09	09.3.3	Yoshimoto	Miyoshi	Fujioka	Refre to REVISION RECORD.	TITLE	fi-6140/fi-6240/fi-6130/fi-6230/fi-614PR	
08	09.2.2	Okada	Anzai	Fujioka	Piece parts (P/N) changed.		ILLUSTRATED PARTS CATALOGUE	
10	09.6.10	Yoshimoto	Miyoshi	Fujioka	Refre to REVISION RECORD.	DRAW No.	P4PA03540-BXXX/6	CUST
Rev	DATE	DESIG	CHECK	APPR	DESCRIPTION			
DESIGN	07.7.2	Okada	CHECK	Okada	APPR	Anzai		

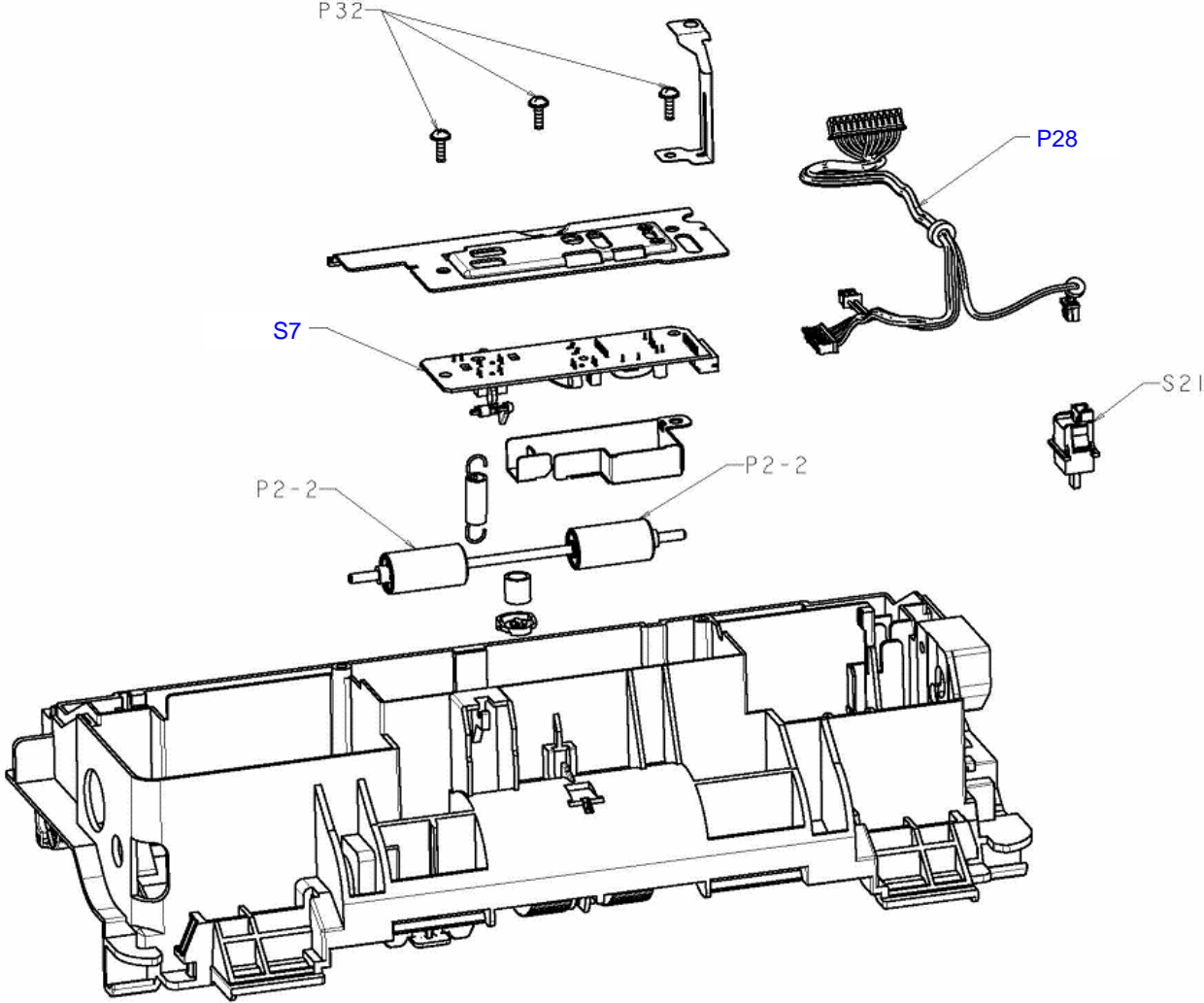
Figure 9 BASE UNIT (2/4)

INDEX NO.	COMPOSITION & QUANTITY				SPECIFICATION	DESCRIPTION	REMARKS
S 4		1			PA03540-K910	INVERTER	
S 10		1			PA03540-F901	BW MOTOR	
S 11		1			PA03540-E908	GUIDE P ASSY	for -B00X, -B50X
S 11		1			PA03540-E909	GUIDE P ASSY	for -B05X, -B55X
S 18		1			PA03540-F903	PICK MOTOR	Included in BASE UNIT
S 19		1			PA03540-F904	PICK MOTOR ASSY	Included in BASE UNIT
P 3	1				PA03540-F150	BW ASSY	
P 7	1				PA03951-0954	BELT P	
P 33	6				RU6SW2N3-08121	SCREW	Figure 24 SCREW
P 36	2				PA83952-4605	E RING	Figure 27 E RING
P 56	1				PA03540-Y810	PICK JIG SPRING	

S: Recommended Spare Parts
P: Spare Parts for Repair

09	09.3.3	Yoshimoto	Miyoshi	Fujioka	Refre to REVISION RECORD.	TITLE	fi-6140/fi-6240/fi-6130/fi-6230/fi-614PR	
08	09.2.2	Okada	Anzai	Fujioka	Piece parts (P/N) changed.		ILLUSTRATED PARTS CATALOGUE	
10	09.6.10	Yoshimoto	Miyoshi	Fujioka	Refre to REVISION RECORD.	DRAW No.	P4PA03540-BXXX/6	CUST
Rev	DATE	DESIG	CHECK	APPR	DESCRIPTION		PFU LIMITED	
DESIGN	07.7.2	Okada	CHECK	Okada	APPR	Anzai		

Figure 10 BASE UNIT (3/4)



S: Recommended Spare Parts
P: Spare Parts for Repair

09	09.3.3	Yoshimoto	Miyoshi	Fujioka	Refre to REVISION RECORD.	TITLE	fi-6140/fi-6240/fi-6130/fi-6230/fi-614PR	
08	09.2.2	Okada	Anzai	Fujioka	Piece parts (P/N) changed.		ILLUSTRATED PARTS CATALOGUE	
10	09.6.10	Yoshimoto	Miyoshi	Fujioka	Refre to REVISION RECORD.	DRAW No.	P4PA03540-BXXX/6	CUST
Rev	DATE	DESIG	CHECK	APPR	DESCRIPTION		PFU LIMITED	
DESIGN	07.7.2	Okada	CHECK	Okada	APPR	Anzai		

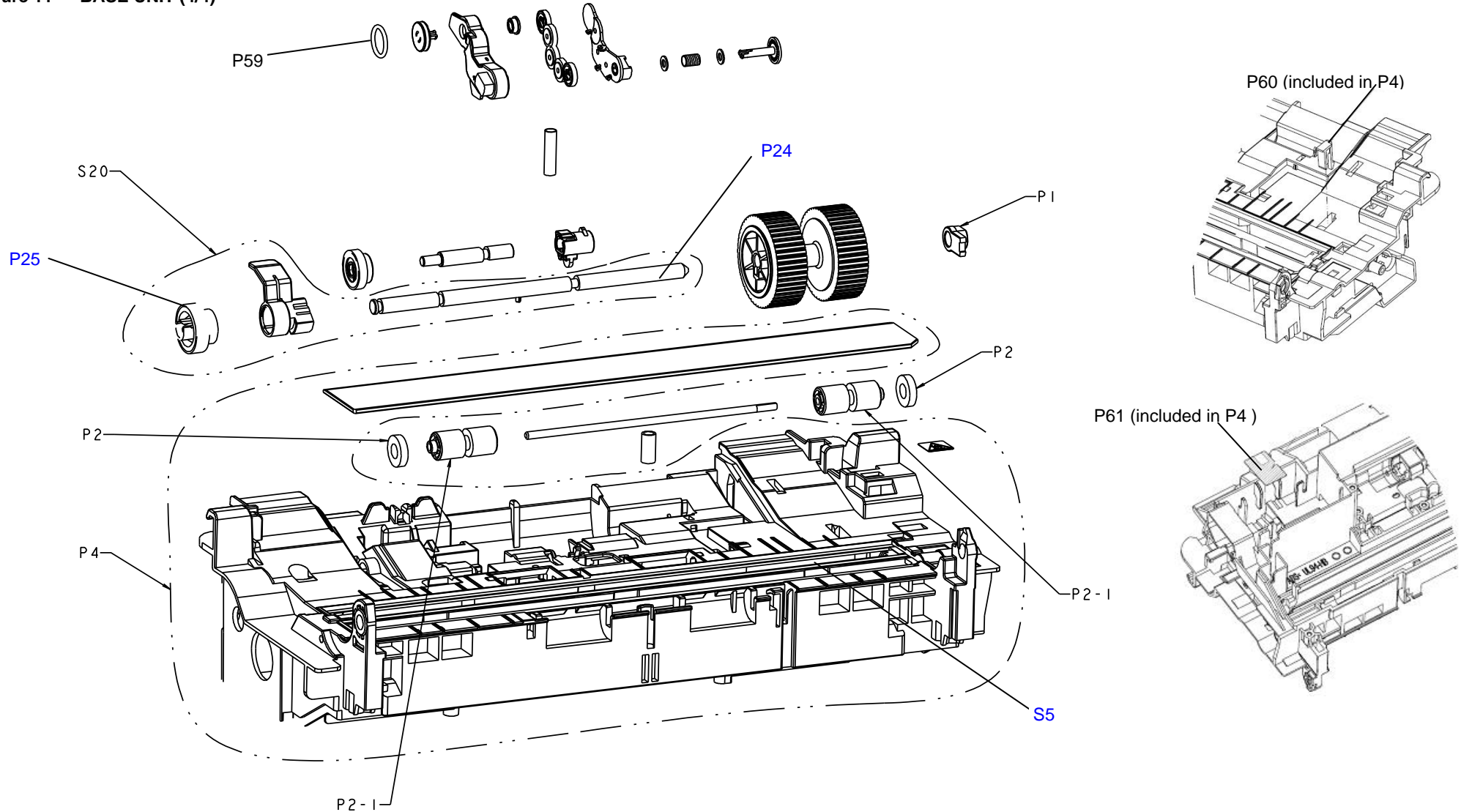
Figure 10 BASE UNIT (3/4)

INDEX NO.	COMPOSITION & QUANTITY					SPECIFICATION	DESCRIPTION	REMARKS
S 7	1					PA03540-K913	US SENSOR FX	
S 21	1					PA03484-K804	SWITCH	Included in BASE UNIT
P 2-2	2					PA03289-Y355	P ROLLER1 EH	
P 28	1					PA70002-4212	SE HARNESS F3	
P 32	3					PA83952-5038	PT SCREW	Figure 23 PT SCREW

S: Recommended Spare Parts
P: Spare Parts for Repair

09	09.3.3	Yoshimoto	Miyoshi	Fujioka	Refre to REVISION RECORD.	TITLE	fi-6140/fi-6240/fi-6130/fi-6230/fi-614PR ILLUSTRATED PARTS CATALOGUE		
08	09.2.2	Okada	Anzai	Fujioka	Piece parts (P/N) changed.	DRAW No.	P4PA03540-BXXX/6	CUST	
10	09.6.10	Yoshimoto	Miyoshi	Fujioka	Refre to REVISION RECORD.	PFU LIMITED			
Rev	DATE	DESIG	CHECK	APPR	DESCRIPTION				
DESIGN	07.7.2	Okada	CHECK	Okada	APPR				Anzai

Figure 11 BASE UNIT (4/4)



S: Recommended Spare Parts
P: Spare Parts for Repair

09	09.3.3	Yoshimoto	Miyoshi	Fujioka	Refre to REVISION RECORD.	TITLE	fi-6140/fi-6240/fi-6130/fi-6230/fi-614PR	
08	09.2.2	Okada	Anzai	Fujioka	Piece parts (P/N) changed.		ILLUSTRATED PARTS CATALOGUE	
10	09.6.10	Yoshimoto	Miyoshi	Fujioka	Refre to REVISION RECORD.	DRAW No.	P4PA03540-BXXX/6	CUST
Rev	DATE	DESIG	CHECK	APPR	DESCRIPTION		PFU LIMITED	
DESIGN	07.7.2	Okada	CHECK	Okada	APPR	Anzai		

Figure 11 BASE UNIT (4/4)

INDEX NO.	COMPOSITION & QUANTITY				SPECIFICATION	DESCRIPTION	REMARKS
S 5	1				PA03540-K911	LAMP	
S 20	1				PA03540-F907	PICK SHAFT ASSY	Included in BASE UNIT
P 1	1				PA03484-Y078	PICK BEARING2	
P 2	2				PA03540-Y185	HK RING L3	
P 2-1	2				PA03484-Y006	P ROLLER2	
P 4	1				PA03540-F910	FX FRAME ASSY	
P 60	1				PA03540-Y128 PA03540-Y228	FIX INV CAP	
P 61	1				PA03540-Y129 PA03540-Y229	FIX INV SHEET	
P 24	1				PA03540-Y170	PICK SHAFT	
P 25	1				PA03540-Y101	PICK GEAR	
P 59	1				PA03951-1020	O-RING	for -B00X, -B50X

S: Recommended Spare Parts
P: Spare Parts for Repair

Figure 12 (Reserved)

09	09.3.3	Yoshimoto	Miyoshi	Fujioka	Refre to REVISION RECORD.	TITLE	fi-6140/fi-6240/fi-6130/fi-6230/fi-614PR	
08	09.2.2	Okada	Anzai	Fujioka	Piece parts (P/N) changed.		ILLUSTRATED PARTS CATALOGUE	
						DRAW No.	P4PA03540-BXXX/6	
10	09.6.10	Yoshimoto	Miyoshi	Fujioka	Refre to REVISION RECORD.		CUST	
Rev	DATE	DESIG	CHECK	APPR	DESCRIPTION		PFU LIMITED	
DESIGN	07.7.2	Okada	CHECK	Okada	APPR	Anzai		

S: Recommended Spare Parts
P: Spare Parts for Repair

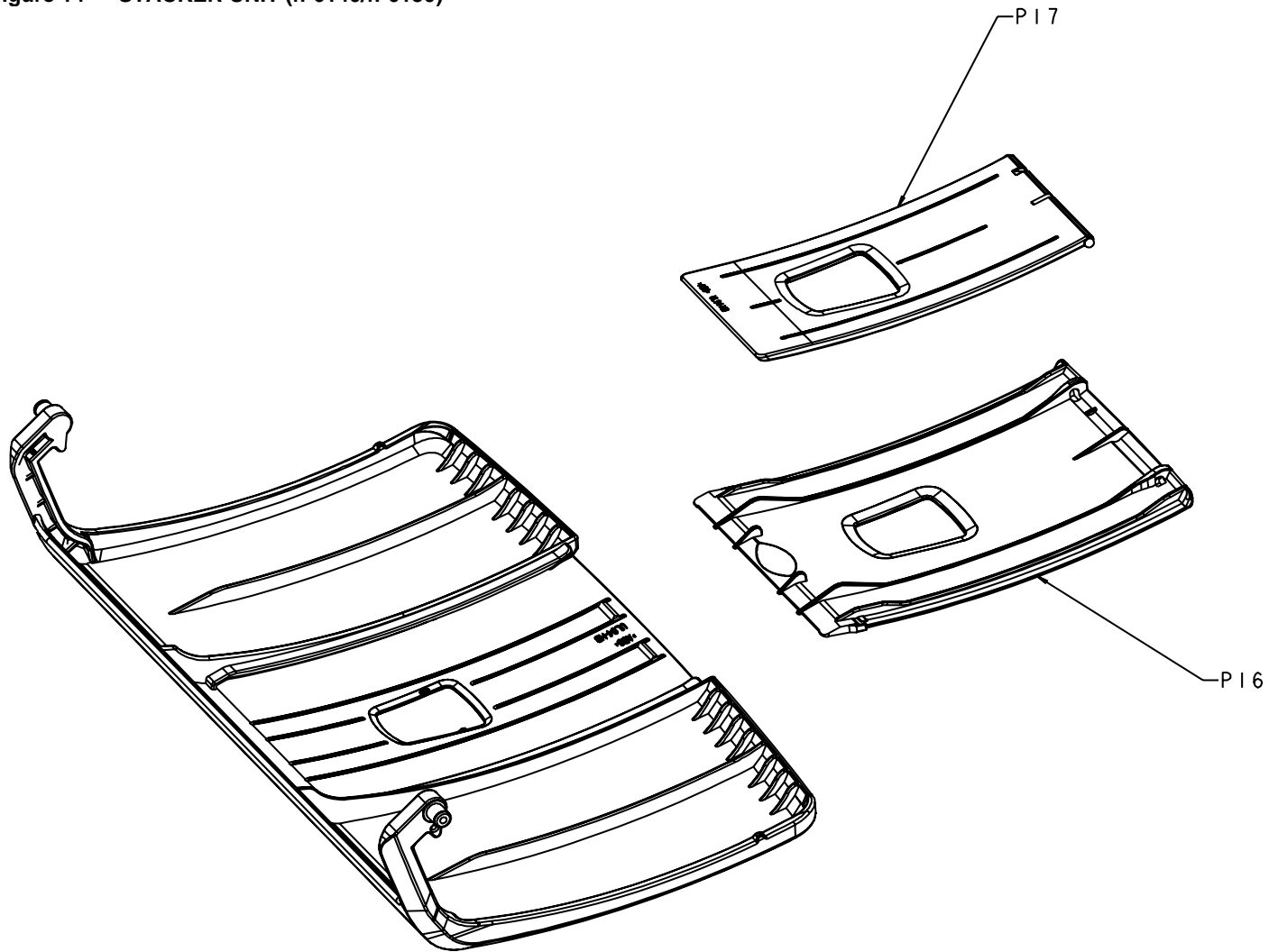
Figure 13 (Reserved)

09	09.3.3	Yoshimoto	Miyoshi	Fujioka	Refre to REVISION RECORD.	TITLE	fi-6140/fi-6240/fi-6130/fi-6230/fi-614PR	
08	09.2.2	Okada	Anzai	Fujioka	Piece parts (P/N) changed.		ILLUSTRATED PARTS CATALOGUE	
						DRAW No.	P4PA03540-BXXX/6	
10	09.6.10	Yoshimoto	Miyoshi	Fujioka	Refre to REVISION RECORD.		CUST	
Rev	DATE	DESIG	CHECK	APPR	DESCRIPTION		PFU LIMITED	
DESIGN	07.7.2	Okada	CHECK	Okada	APPR	Anzai		

S: Recommended Spare Parts
P: Spare Parts for Repair

09	09.3.3	Yoshimoto	Miyoshi	Fujioka	Refre to REVISION RECORD.	TITLE	fi-6140/fi-6240/fi-6130/fi-6230/fi-614PR	
08	09.2.2	Okada	Anzai	Fujioka	Piece parts (P/N) changed.		ILLUSTRATED PARTS CATALOGUE	
10	09.6.10	Yoshimoto	Miyoshi	Fujioka	Refre to REVISION RECORD.	DRAW No.	P4PA03540-BXXX/6	CUST
Rev	DATE	DESIG	CHECK	APPR	DESCRIPTION		PFU LIMITED	
DESIGN	07.7.2	Okada	CHECK	Okada	APPR Anzai			

Figure 14 STACKER UNIT (fi-6140/fi-6130)



S: Recommended Spare Parts
P: Spare Parts for Repair

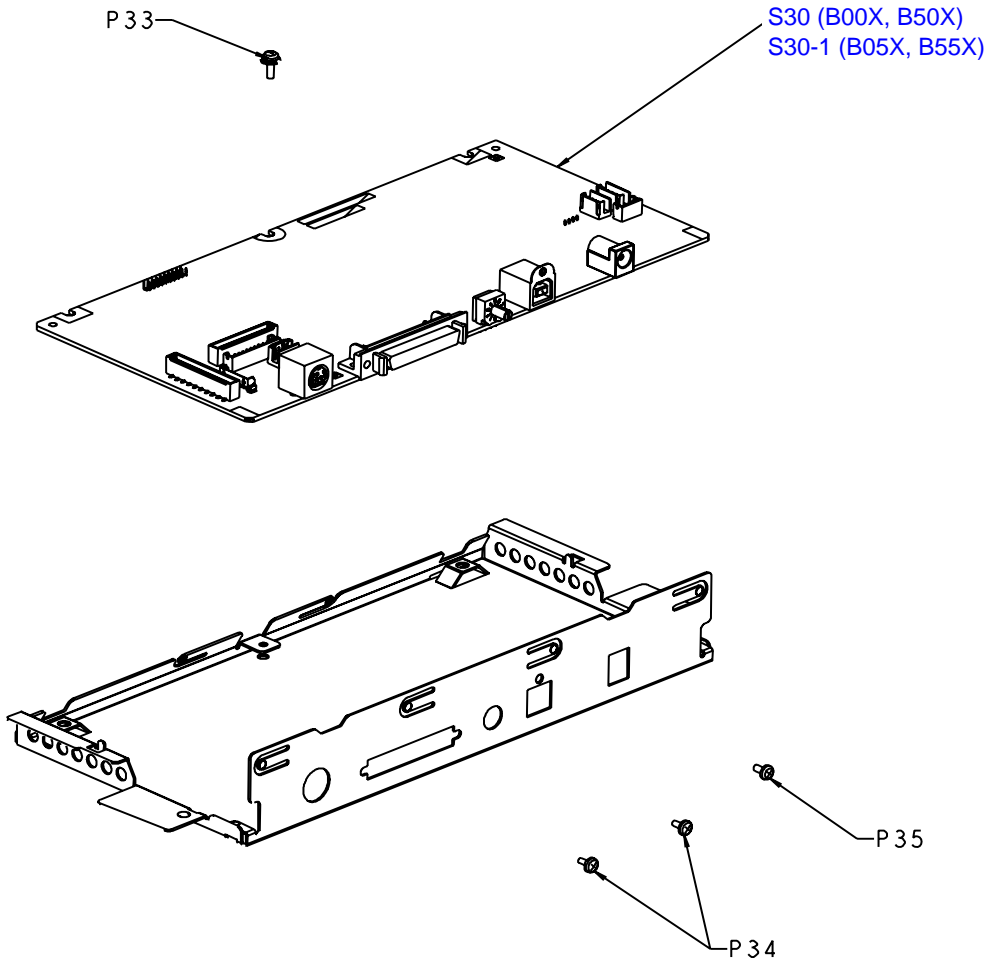
Figure 14 STACKER UNIT (fi-6140/fi-6130)

INDEX NO.	COMPOSITION & QUANTITY					SPECIFICATION	DESCRIPTION	REMARKS
P 16	1					PA03540-Y511	STACKER EXTEND1	
P 17	1					PA03540-Y521	STACKER EXTEND2	

09	09.3.3	Yoshimoto	Miyoshi	Fujioka	Refre to REVISION RECORD.	TITLE	fi-6140/fi-6240/fi-6130/fi-6230/fi-614PR	
08	09.2.2	Okada	Anzai	Fujioka	Piece parts (P/N) changed.		ILLUSTRATED PARTS CATALOGUE	
10	09.6.10	Yoshimoto	Miyoshi	Fujioka	Refre to REVISION RECORD.	DRAW No.	P4PA03540-BXXX/6	CUST
Rev	DATE	DESIG	CHECK	APPR	DESCRIPTION		PFU LIMITED	
DESIGN	07.7.2	Okada	CHECK	Okada	APPR Anzai			

S: Recommended Spare Parts
P: Spare Parts for Repair

Figure 15 CONTROL PCA



09	09.3.3	Yoshimoto	Miyoshi	Fujioka	Refre to REVISION RECORD.	TITLE	fi-6140/fi-6240/fi-6130/fi-6230/fi-614PR	
08	09.2.2	Okada	Anzai	Fujioka	Piece parts (P/N) changed.		ILLUSTRATED PARTS CATALOGUE	
						DRAW No.	P4PA03540-BXXX/6	CUST
10	09.6.10	Yoshimoto	Miyoshi	Fujioka	Refre to REVISION RECORD.			
Rev	DATE	DESIG	CHECK	APPR	DESCRIPTION		PFU LIMITED	
DESIGN	07.7.2	Okada	CHECK	Okada	APPR	Anzai		

S: Recommended Spare Parts
P: Spare Parts for Repair

09	09.3.3	Yoshimoto	Miyoshi	Fujioka	Refre to REVISION RECORD.	TITLE	fi-6140/fi-6240/fi-6130/fi-6230/fi-614PR ILLUSTRATED PARTS CATALOGUE	
08	09.2.2	Okada	Anzai	Fujioka	Piece parts (P/N) changed.		DRAW No.	P4PA03540-BXXX/6
10	09.6.10	Yoshimoto	Miyoshi	Fujioka	Refre to REVISION RECORD.	PFU LIMITED		
Rev	DATE	DESIG	CHECK	APPR	DESCRIPTION			
DESIGN	07.7.2	Okada	CHECK	Okada	APPR Anzai			

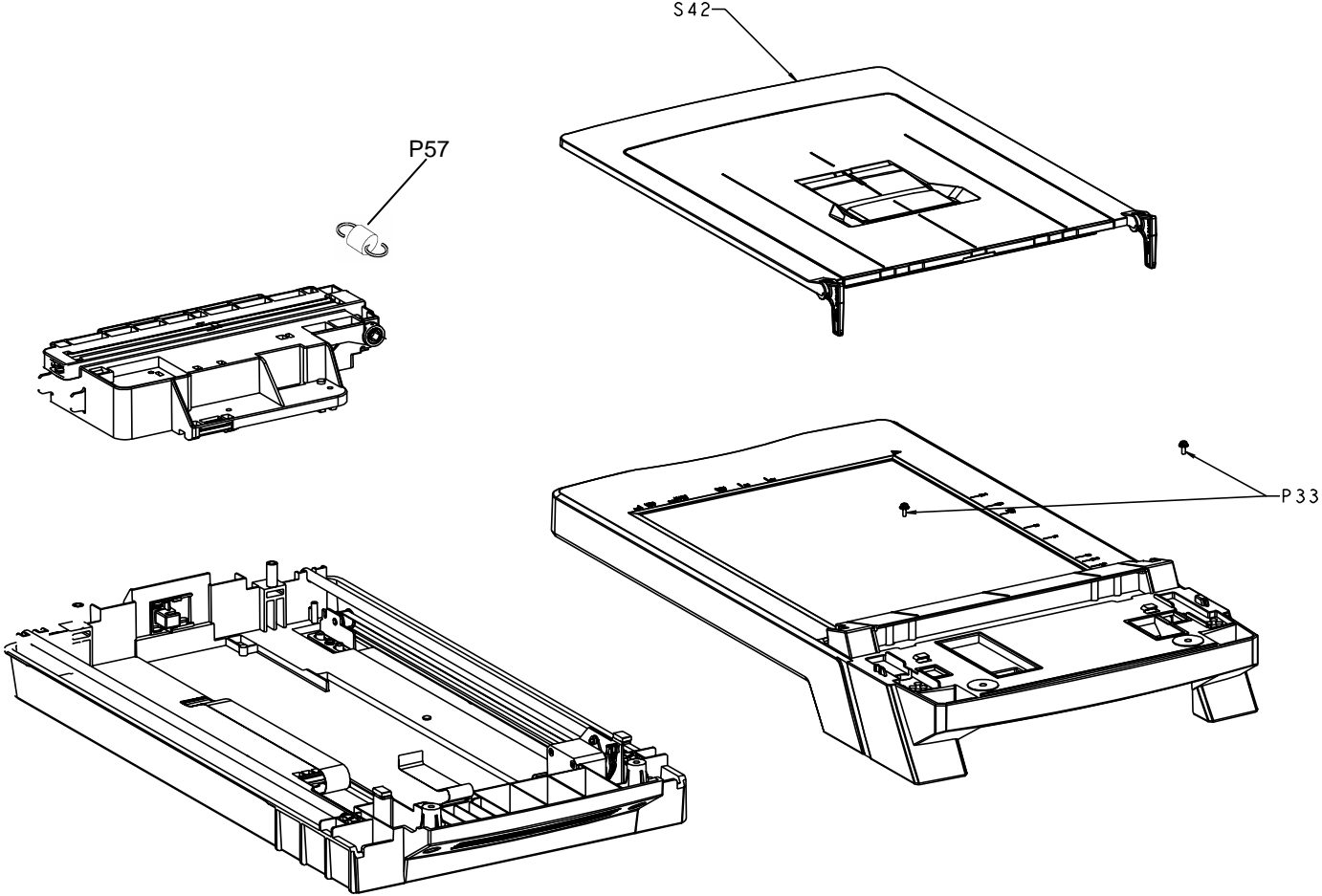
Figure 15 CONTROL PCA

INDEX NO.	COMPOSITION & QUANTITY				SPECIFICATION	DESCRIPTION	REMARKS
S 30	1				PA03540-K901	CONTROL PCA	for -B00X
S 30-1	1				PA03540-K918	CONTROL PCA L	for -B05X
S 30	1				PA03540-K917	CONTROL PCA	for -B50X
S 30-1	1				PA03540-K919	CONTROL PCA L	for -B55X
P 33	1				RU6SW2N3-08121	SCREW	Figure 24 SCREW
P 34	2				CA98001-8785	SCREW	Figure 25 SCREW
P 35	1				RU6SNA3-06121	SCREW	Figure 26 SCREW

S: Recommended Spare Parts
P: Spare Parts for Repair

09	09.3.3	Yoshimoto	Miyoshi	Fujioka	Refre to REVISION RECORD.	TITLE	fi-6140/fi-6240/fi-6130/fi-6230/fi-614PR	
08	09.2.2	Okada	Anzai	Fujioka	Piece parts (P/N) changed.		ILLUSTRATED PARTS CATALOGUE	
10	09.6.10	Yoshimoto	Miyoshi	Fujioka	Refre to REVISION RECORD.	DRAW No.	P4PA03540-BXXX/6	CUST
Rev	DATE	DESIG	CHECK	APPR	DESCRIPTION		PFU LIMITED	
DESIGN	07.7.2	Okada	CHECK	Okada	APPR Anzai			

Figure 16 FB (fi-6240/fi-6230) (1/5)



FB-UNIT: -C30X

S: Recommended Spare Parts
P: Spare Parts for Repair

09	09.3.3	Yoshimoto	Miyoshi	Fujioka	Refre to REVISION RECORD.	TITLE	fi-6140/fi-6240/fi-6130/fi-6230/fi-614PR	
08	09.2.2	Okada	Anzai	Fujioka	Piece parts (P/N) changed.		ILLUSTRATED PARTS CATALOGUE	
10	09.6.10	Yoshimoto	Miyoshi	Fujioka	Refre to REVISION RECORD.	DRAW No.	P4PA03540-BXXX/6	CUST
Rev	DATE	DESIG	CHECK	APPR	DESCRIPTION		PFU LIMITED	
DESIGN	07.7.2	Okada	CHECK	Okada	APPR	Anzai		

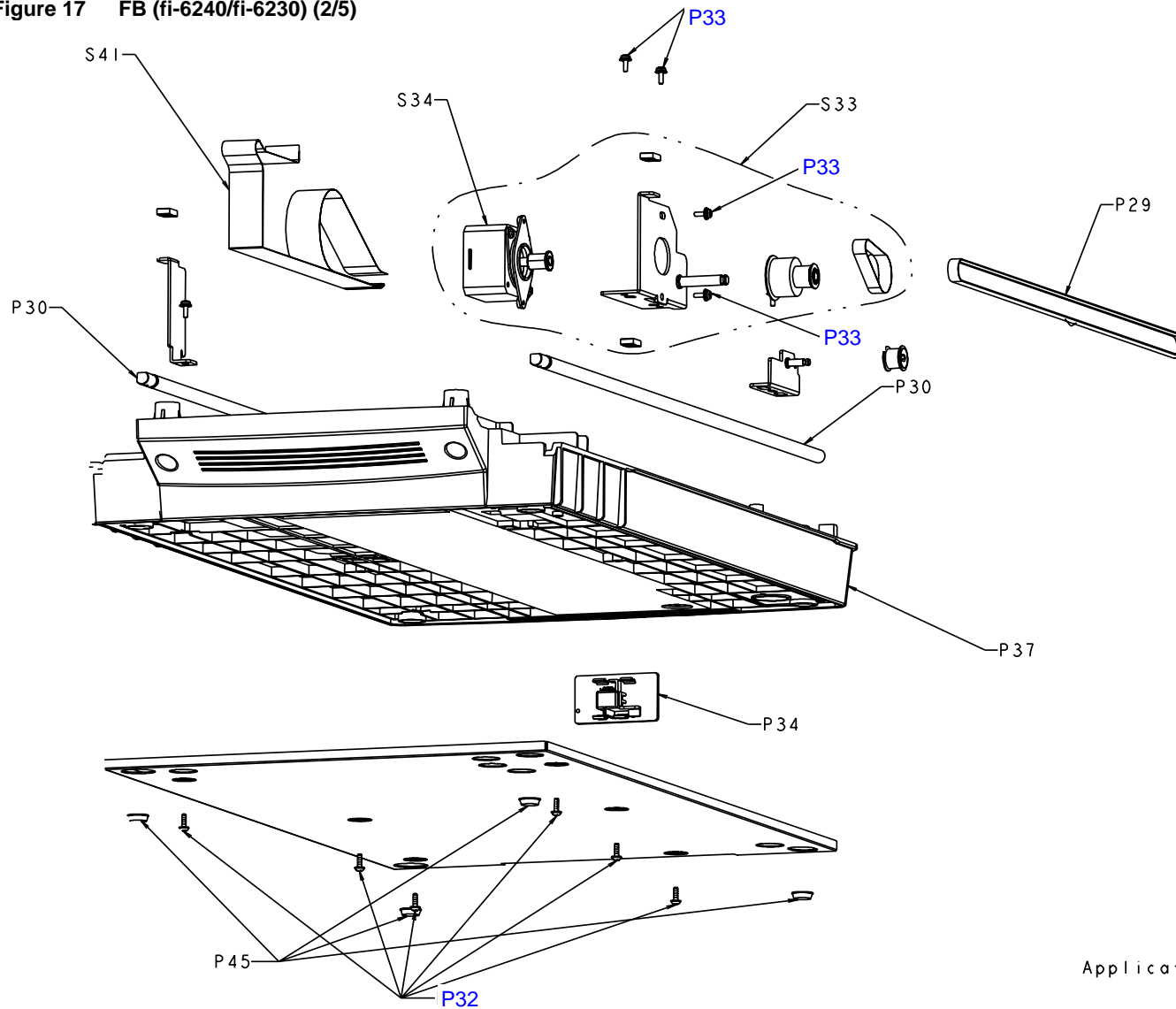
Figure 16 FB (fi-6240/fi-6230) (1/5)

INDEX NO.	COMPOSITION & QUANTITY					SPECIFICATION	DESCRIPTION	REMARKS
S 42	1					PA03540-E921	DOC COV ASSY	
P 33	2					RU6SW2N3-08121	SCREW	Figure 24 SCREW
P 57	1					PA03289-Y900	ADJ ASPRING JIG	

S: Recommended Spare Parts
P: Spare Parts for Repair

09	09.3.3	Yoshimoto	Miyoshi	Fujioka	Refre to REVISION RECORD.	TITLE	fi-6140/fi-6240/fi-6130/fi-6230/fi-614PR	
08	09.2.2	Okada	Anzai	Fujioka	Piece parts (P/N) changed.		ILLUSTRATED PARTS CATALOGUE	
10	09.6.10	Yoshimoto	Miyoshi	Fujioka	Refre to REVISION RECORD.	DRAW No.	P4PA03540-BXXX/6	CUST
Rev	DATE	DESIG	CHECK	APPR	DESCRIPTION		PFU LIMITED	
DESIGN	07.7.2	Okada	CHECK	Okada	APPR	Anzai		

Figure 17 FB (fi-6240/fi-6230) (2/5)



Application: -B50X

S: Recommended Spare Parts
P: Spare Parts for Repair

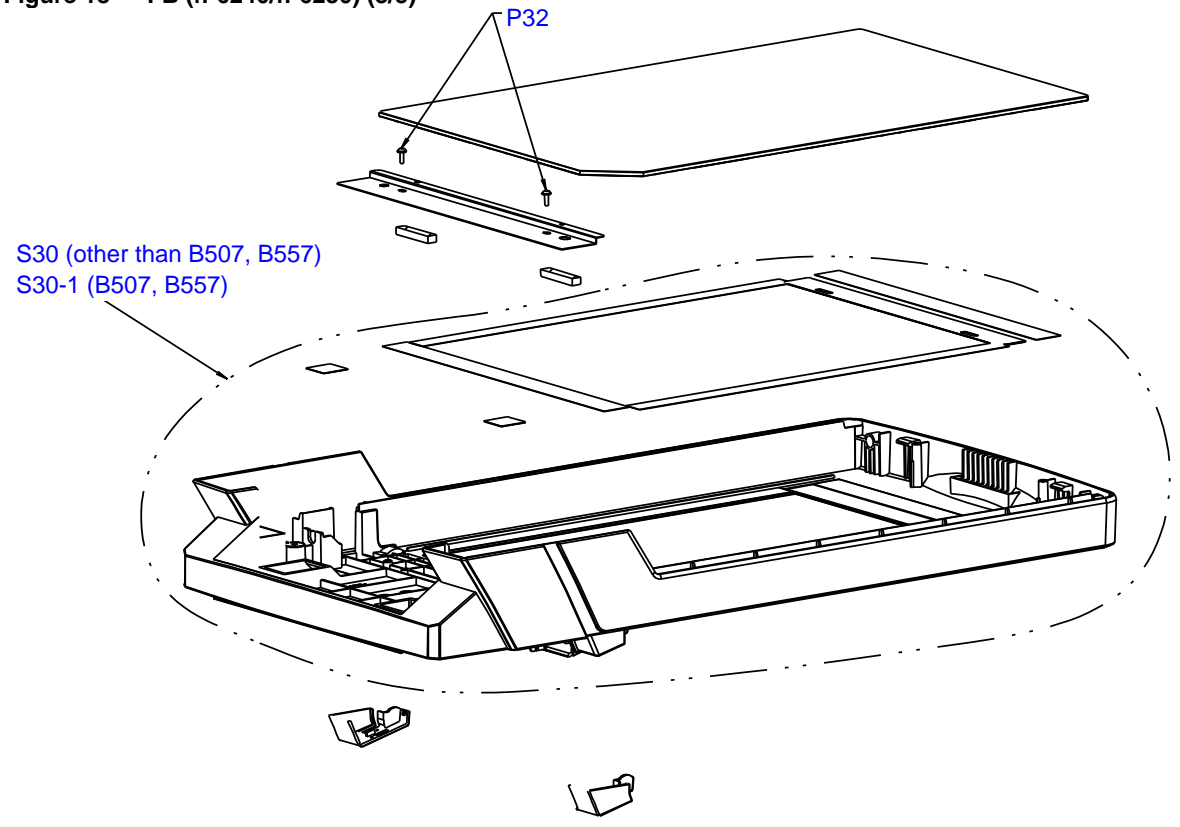
09	09.3.3	Yoshimoto	Miyoshi	Fujioka	Refre to REVISION RECORD.	TITLE	fi-6140/fi-6240/fi-6130/fi-6230/fi-614PR	
08	09.2.2	Okada	Anzai	Fujioka	Piece parts (P/N) changed.		ILLUSTRATED PARTS CATALOGUE	
10	09.6.10	Yoshimoto	Miyoshi	Fujioka	Refre to REVISION RECORD.	DRAW No.	P4PA03540-BXXX/6	CUST
Rev	DATE	DESIG	CHECK	APPR	DESCRIPTION		PFU LIMITED	
DESIGN	07.7.2	Okada	CHECK	Okada	APPR	Anzai		

Figure 17 FB (fi-6240/fi-6230) (2/5)

INDEX NO.	COMPOSITION & QUANTITY				SPECIFICATION	DESCRIPTION	REMARKS
S 33	1				PA03540-E919	FB MOTOR UNIT	
S 34	1				PA03540-F909	FB MOTOR ASSY	
S 41	1				PA70002-0928	CR CABLE	
P 32	6				PA83952-5038	PT SCREW	Figure 23 PT SCREW
P 33	4				RU6SW2N3-08121	SCREW	Figure 24 SCREW
P 45	4				PA03002-Y020	RUBBER PEDESTAL	
P 29	1				PA03951-0224	FB BELT	
P 30	2				PA03540-Y370	CR SHAFT	
P 34	1				PA03540-Y341	CR STOPPER	
P 37	1				PA03540-F908	FB BASE COVER	

S: Recommended Spare Parts
P: Spare Parts for Repair

Figure 18 FB (fi-6240/fi-6230) (3/5)



09	09.3.3	Yoshimoto	Miyoshi	Fujioka	Refre to REVISION RECORD.	TITLE	fi-6140/fi-6240/fi-6130/fi-6230/fi-614PR	
08	09.2.2	Okada	Anzai	Fujioka	Piece parts (P/N) changed.		ILLUSTRATED PARTS CATALOGUE	
10	09.6.10	Yoshimoto	Miyoshi	Fujioka	Refre to REVISION RECORD.	DRAW No.	P4PA03540-BXXX/6	CUST
Rev	DATE	DESIG	CHECK	APPR	DESCRIPTION		PFU LIMITED	
DESIGN	07.7.2	Okada	CHECK	Okada	APPR	Anzai		

Application: -B50X

S: Recommended Spare Parts
P: Spare Parts for Repair

09	09.3.3	Yoshimoto	Miyoshi	Fujioka	Refre to REVISION RECORD.	TITLE	fi-6140/fi-6240/fi-6130/fi-6230/fi-614PR	
08	09.2.2	Okada	Anzai	Fujioka	Piece parts (P/N) changed.		ILLUSTRATED PARTS CATALOGUE	
10	09.6.10	Yoshimoto	Miyoshi	Fujioka	Refre to REVISION RECORD.	DRAW No.	P4PA03540-BXXX/6	CUST
Rev	DATE	DESIG	CHECK	APPR	DESCRIPTION		PFU LIMITED	
DESIGN	07.7.2	Okada	CHECK	Okada	APPR Anzai			

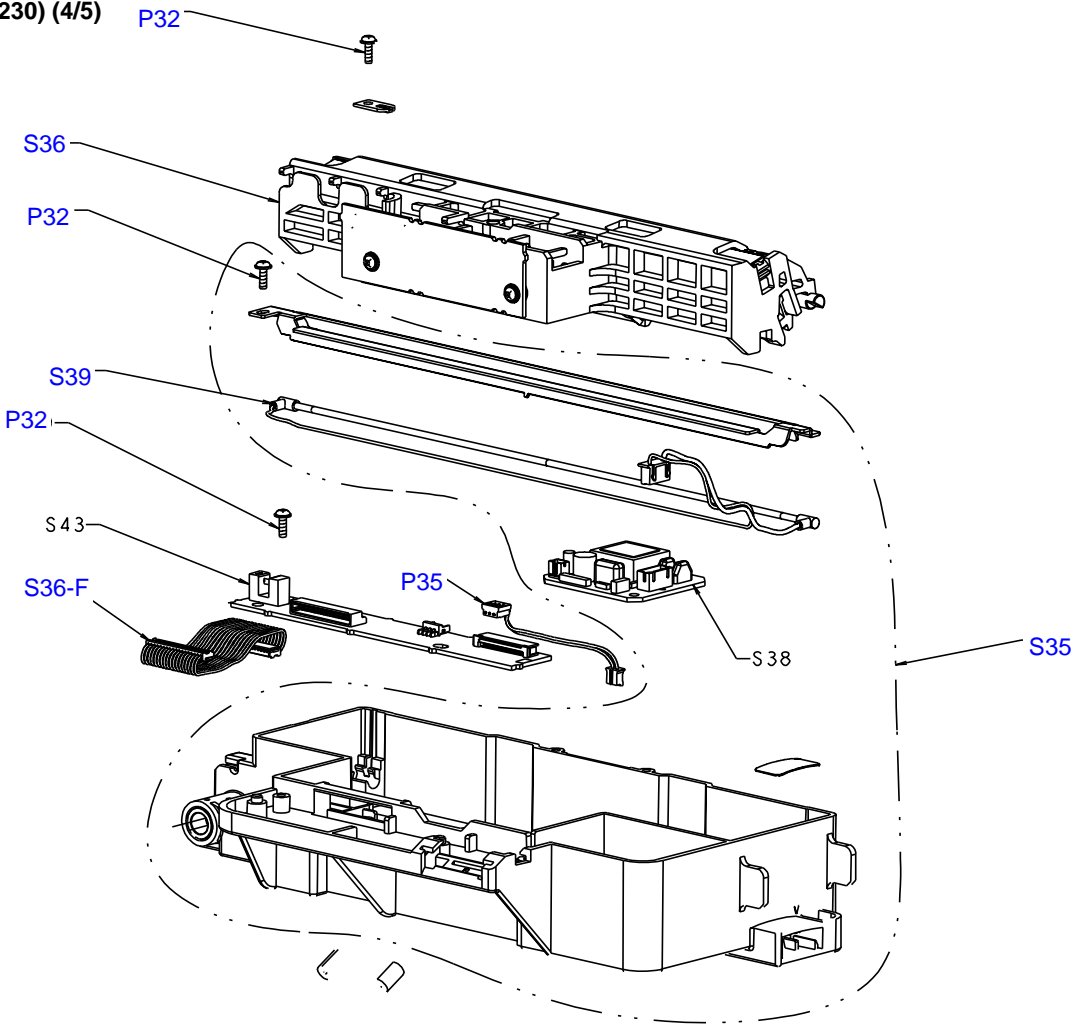
Figure 18 FB (fi-6240/fi-6230) (3/5)

INDEX NO.	COMPOSITION & QUANTITY	SPECIFICATION	DESCRIPTION	REMARKS
S 30	1	PA03540-E961	FB TOP COV ASSY	for other than -B507, -B557
S 30-1	1	PA03540-E967	FB TOP COV ASY2	for -B507, -B557
P 32	2	PA83952-5038	PT SCREW	Figure 23 PT SCREW

S: Recommended Spare Parts
P: Spare Parts for Repair

09	09.3.3	Yoshimoto	Miyoshi	Fujioka	Refre to REVISION RECORD.	TITLE	fi-6140/fi-6240/fi-6130/fi-6230/fi-614PR	
08	09.2.2	Okada	Anzai	Fujioka	Piece parts (P/N) changed.		ILLUSTRATED PARTS CATALOGUE	
10	09.6.10	Yoshimoto	Miyoshi	Fujioka	Refre to REVISION RECORD.	DRAW No.	P4PA03540-BXXX/6	CUST
Rev	DATE	DESIG	CHECK	APPR	DESCRIPTION		PFU LIMITED	
DESIGN	07.7.2	Okada	CHECK	Okada	APPR	Anzai		

Figure 19 FB (fi-6240/fi-6230) (4/5)



Application: B50X

S: Recommended Spare Parts
P: Spare Parts for Repair

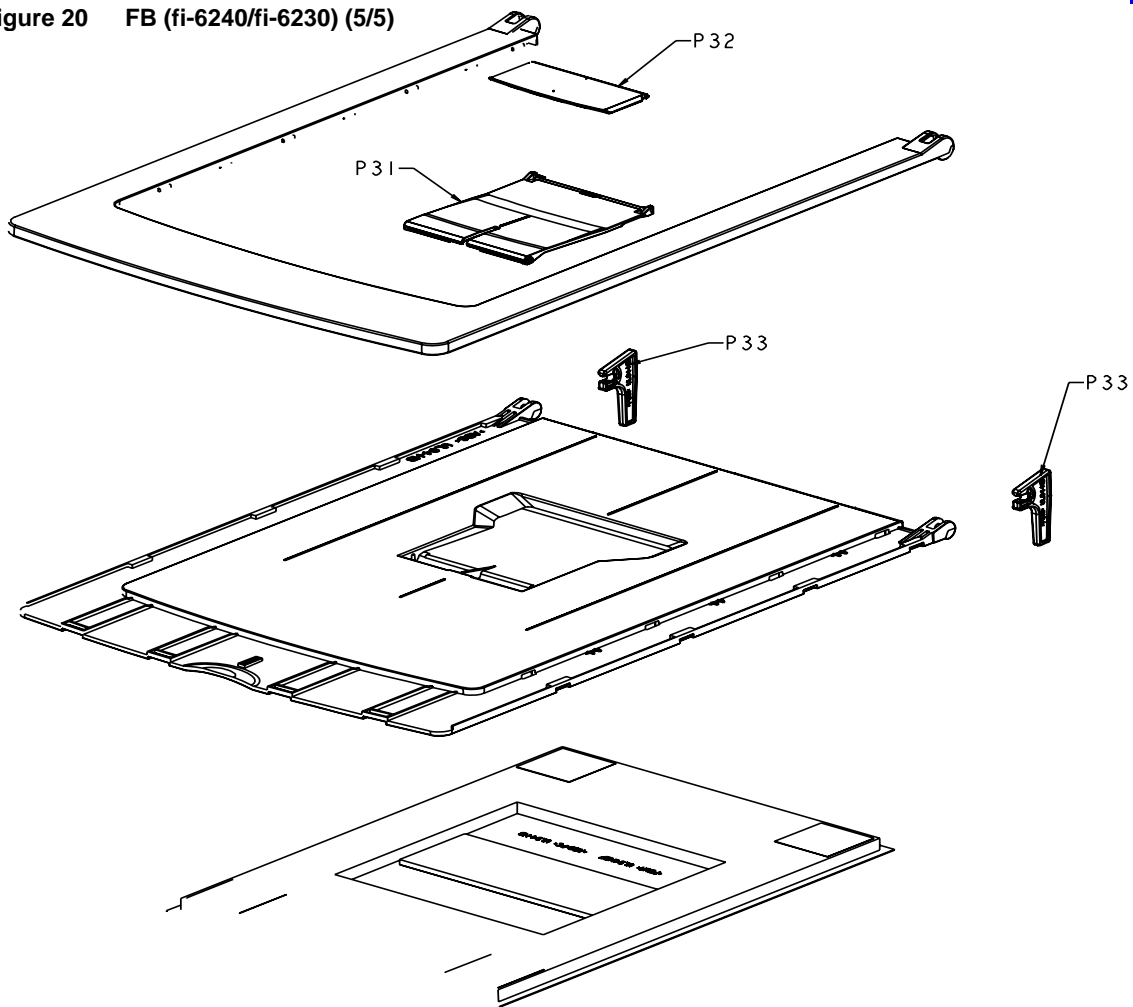
09	09.3.3	Yoshimoto	Miyoshi	Fujioka	Refre to REVISION RECORD.	TITLE	fi-6140/fi-6240/fi-6130/fi-6230/fi-614PR	
08	09.2.2	Okada	Anzai	Fujioka	Piece parts (P/N) changed.		ILLUSTRATED PARTS CATALOGUE	
10	09.6.10	Yoshimoto	Miyoshi	Fujioka	Refre to REVISION RECORD.	DRAW No.	P4PA03540-BXXX/6	CUST
Rev	DATE	DESIG	CHECK	APPR	DESCRIPTION		PFU LIMITED	
DESIGN	07.7.2	Okada	CHECK	Okada	APPR Anzai			

Figure 19 FB (fi-6240/fi-6230) (4/5)

INDEX NO.	COMPOSITION & QUANTITY	SPECIFICATION	DESCRIPTION	REMARKS
S 35	1	PA03540-E910	OPT BOX UNIT	
S 36	1	PA03540-E903	OPT UNIT	
S 38	1	PA03540-K910	INVERTER	
S 39	1	PA03540-K911	LAMP	
S 36-F	1	PA70002-4214	CCD HARNESS FB3	
S 43	1	PA03540-K916	JOINT PCA	
P 32	3	PA83952-5038	PT SCREW	Figure 23 PT SCREW
P 35	1	PA70002-2390	INV HARNESS2	

S: Recommended Spare Parts
P: Spare Parts for Repair

Figure 20 FB (fi-6240/fi-6230) (5/5)



09	09.3.3	Yoshimoto	Miyoshi	Fujioka	Refre to REVISION RECORD.	TITLE	fi-6140/fi-6240/fi-6130/fi-6230/fi-614PR	
08	09.2.2	Okada	Anzai	Fujioka	Piece parts (P/N) changed.		ILLUSTRATED PARTS CATALOGUE	
10	09.6.10	Yoshimoto	Miyoshi	Fujioka	Refre to REVISION RECORD.	DRAW No.	P4PA03540-BXXX/6	CUST
Rev	DATE	DESIG	CHECK	APPR	DESCRIPTION		PFU LIMITED	
DESIGN	07.7.2	Okada	CHECK	Okada	APPR	Anzai		

Application: B50X

S: Recommended Spare Parts
P: Spare Parts for Repair

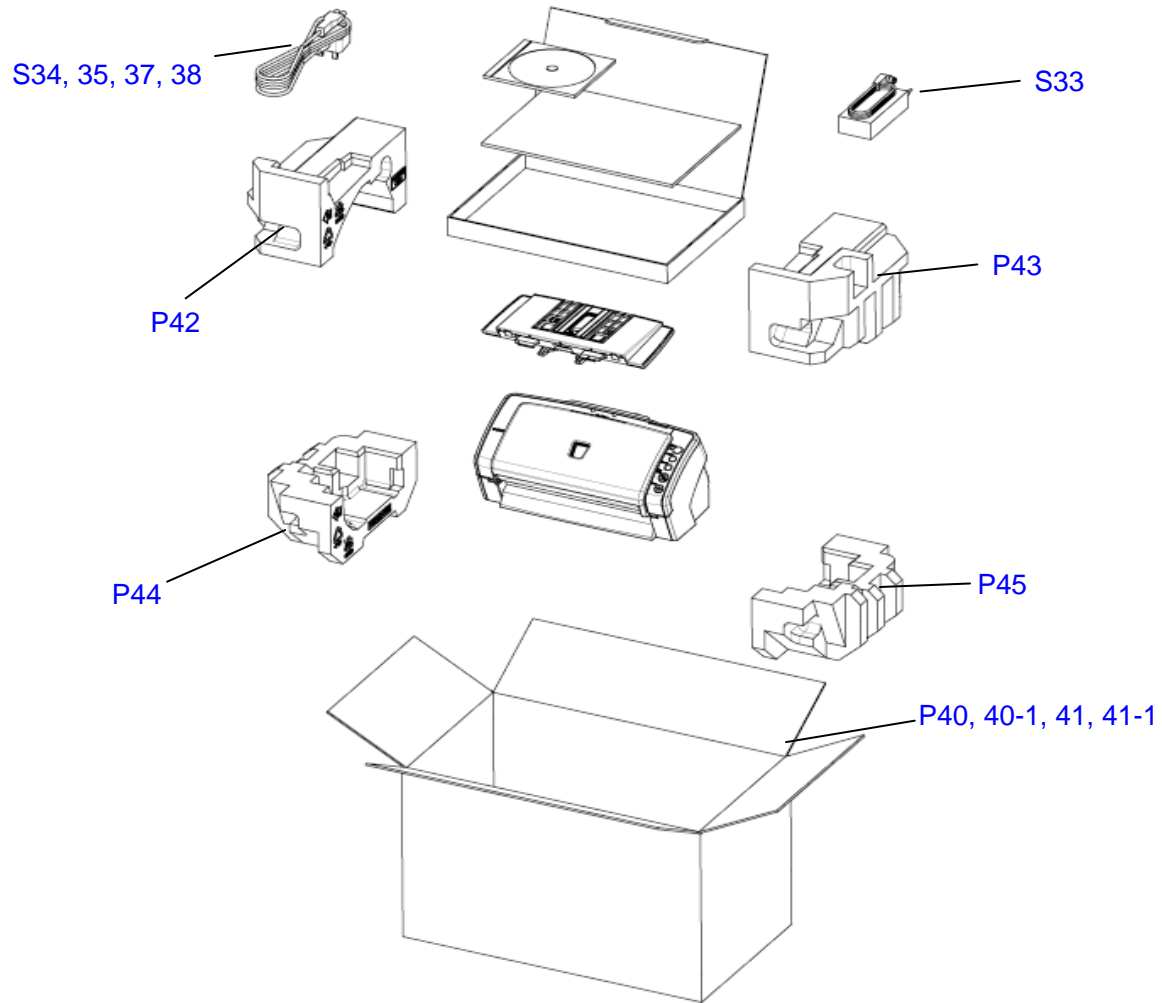
09	09.3.3	Yoshimoto	Miyoshi	Fujioka	Refre to REVISION RECORD.	TITLE	fi-6140/fi-6240/fi-6130/fi-6230/fi-614PR	
08	09.2.2	Okada	Anzai	Fujioka	Piece parts (P/N) changed.		ILLUSTRATED PARTS CATALOGUE	
10	09.6.10	Yoshimoto	Miyoshi	Fujioka	Refre to REVISION RECORD.	DRAW No.	P4PA03540-BXXX/6	CUST
Rev	DATE	DESIG	CHECK	APPR	DESCRIPTION		PFU LIMITED	
DESIGN	07.7.2	Okada	CHECK	Okada	APPR	Anzai		

Figure 20 FB (fi-6240/fi-6230) (5/5)

INDEX NO.	COMPOSITION & QUANTITY					SPECIFICATION	DESCRIPTION	REMARKS
P 31	1					PA03540-Y421	DOC SLIDER	
P 32	1					PA03540-Y431	DOC STOPPER	
P 33	2					PA03540-Y441	DOC JOINT	

S: Recommended Spare Parts
P: Spare Parts for Repair

Figure 21 PACKAGE (fi-6140/fi-6130)



09	09.3.3	Yoshimoto	Miyoshi	Fujioka	Refre to REVISION RECORD.	TITLE	fi-6140/fi-6240/fi-6130/fi-6230/fi-614PR	
08	09.2.2	Okada	Anzai	Fujioka	Piece parts (P/N) changed.		ILLUSTRATED PARTS CATALOGUE	
10	09.6.10	Yoshimoto	Miyoshi	Fujioka	Refre to REVISION RECORD.	DRAW No.	P4PA03540-BXXX/6	CUST
Rev	DATE	DESIG	CHECK	APPR	DESCRIPTION			
DESIGN	07.7.2	Okada	CHECK	Okada	APPR	Anzai	PFU LIMITED	

S: Recommended Spare Parts
P: Spare Parts for Repair

09	09.3.3	Yoshimoto	Miyoshi	Fujioka	Refre to REVISION RECORD.	TITLE	fi-6140/fi-6240/fi-6130/fi-6230/fi-614PR ILLUSTRATED PARTS CATALOGUE		
08	09.2.2	Okada	Anzai	Fujioka	Piece parts (P/N) changed.		DRAW No.	P4PA03540-BXXX/6	CUST
10	09.6.10	Yoshimoto	Miyoshi	Fujioka	Refre to REVISION RECORD.	PFU LIMITED			
Rev	DATE	DESIG	CHECK	APPR	DESCRIPTION				
DESIGN	07.7.2	Okada	CHECK	Okada	APPR				Anzai

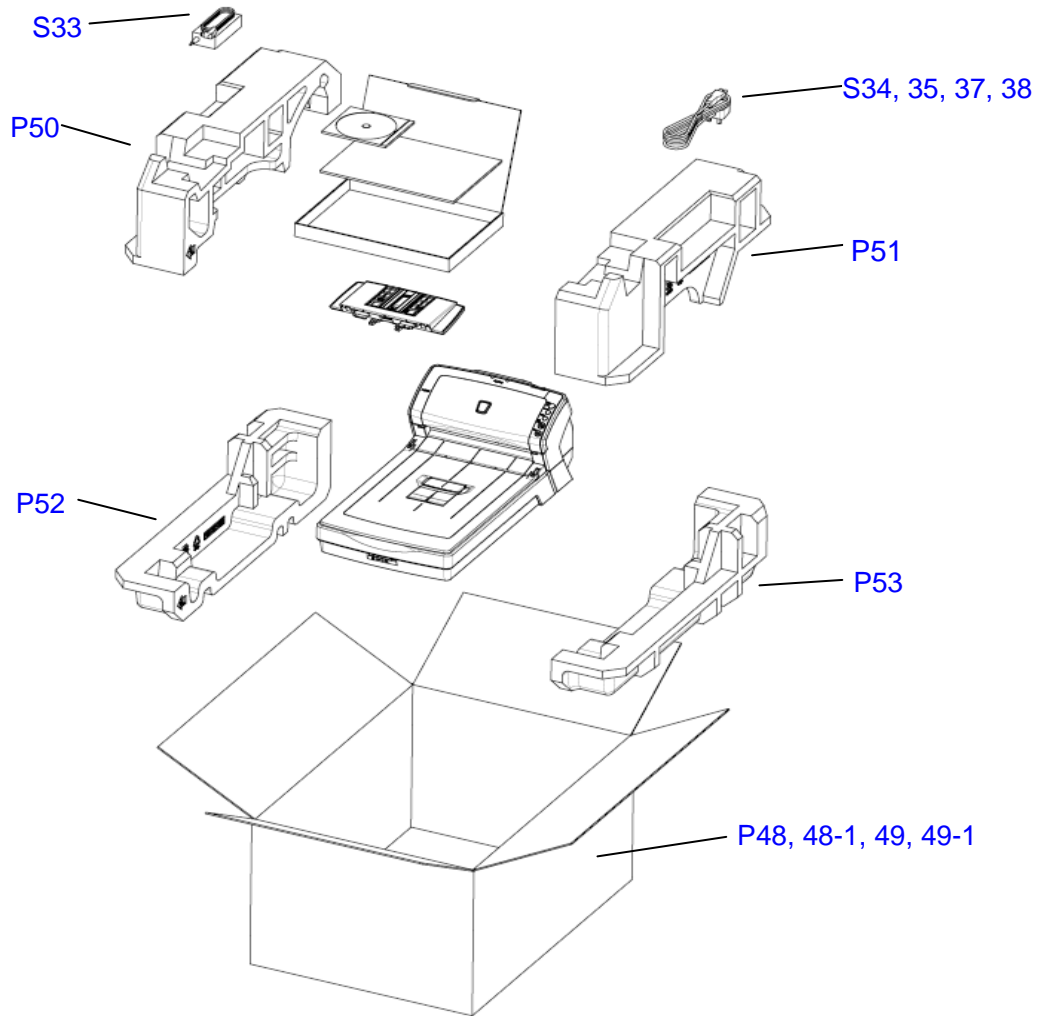
Figure 21 PACKAGE (fi-6140/fi-6130)

INDEX NO.	COMPOSITION & QUANTITY				SPECIFICATION	DESCRIPTION	REMARKS
S 33	1				PA03334-K920	AC ADAPTER	
S 34	1				PA63083-1831	AC CORDSET E	for -B001, -B051
S 35	1				PA63082-1831	AC CORDSET U	for -B002, -B005, -B052, -B055
S 37	1				PA63084-1831	AC CORDSET C	for -B007, -B057
S 38	1				PA63098-1831	AC CORDSET UK	for -B001, -B051
S 39	1				PA61001-0142	USB CABLE	
P 38	1				PA97301-K481	PACKAGE L3	for -B001, -B002, -B005
P 40	1				PA97302-Y481	OUTER BOX L3AH	for -B001, -B002, -B005
P 42	1				PA97302-Y501	CUSHION TL	
P 43	1				PA97302-Y502	CUSHION TR	
P 44	1				PA97302-Y503	CUSHION BL	
P 38-1	1				PA97301-K482	PACKAGE L3 L	for -B051, -B052, -B055
P 40-1	1				PA97302-Y482	OUTER BOX L3AL	for -B051, -B052, -B055
P 42	1				PA97302-Y501	CUSHION TL	
P 43	1				PA97302-Y502	CUSHION TR	
P 44	1				PA97302-Y503	CUSHION BL	
P 45	1				PA97302-Y504	CUSHION BR	
P 39	1				PA97301-K501	PACKAGE L3 C	for -B007
P 41	1				PA97300-G051	OUTER BOX L3AH C	for -B007
P 42	1				PA97302-Y501	CUSHION TL	
P 43	1				PA97302-Y502	CUSHION TR	
P 44	1				PA97302-Y503	CUSHION BL	
P 45	1				PA97302-Y504	CUSHION BR	
P 39-1	1				PA97301-K502	PACKAGE L3 LC	for -B057
P 41-1	1				PA97300-G052	OUTER BOX L3AL C	for -B057
P 42	1				PA97302-Y501	CUSHION TL	
P 43	1				PA97302-Y502	CUSHION TR	
P 44	1				PA97302-Y503	CUSHION BL	
P 45	1				PA97302-Y504	CUSHION BR	
P -	4				PA03540-K100	SRK LYNX3	for -B005, -B055

S: Recommended Spare Parts
P: Spare Parts for Repair

09	09.3.3	Yoshimoto	Miyoshi	Fujioka	Refre to REVISION RECORD.	TITLE	fi-6140/fi-6240/fi-6130/fi-6230/fi-614PR	
08	09.2.2	Okada	Anzai	Fujioka	Piece parts (P/N) changed.		ILLUSTRATED PARTS CATALOGUE	
10	09.6.10	Yoshimoto	Miyoshi	Fujioka	Refre to REVISION RECORD.	DRAW No.	P4PA03540-BXXX/6	
Rev	DATE	DESIG	CHECK	APPR	DESCRIPTION		PFU LIMITED	
DESIGN	07.7.2	Okada	CHECK	Okada	APPR	Anzai		

Figure 22 PACKAGE (fi-6240/fi-6230)



S: Recommended Spare Parts
P: Spare Parts for Repair

09	09.3.3	Yoshimoto	Miyoshi	Fujioka	Refre to REVISION RECORD.	TITLE	fi-6140/fi-6240/fi-6130/fi-6230/fi-614PR ILLUSTRATED PARTS CATALOGUE		
08	09.2.2	Okada	Anzai	Fujioka	Piece parts (P/N) changed.		DRAW No.	P4PA03540-BXXX/6	CUST
10	09.6.10	Yoshimoto	Miyoshi	Fujioka	Refre to REVISION RECORD.	PFU LIMITED			
Rev	DATE	DESIG	CHECK	APPR	DESCRIPTION				
DESIGN	07.7.2	Okada	CHECK	Okada	APPR				Anzai

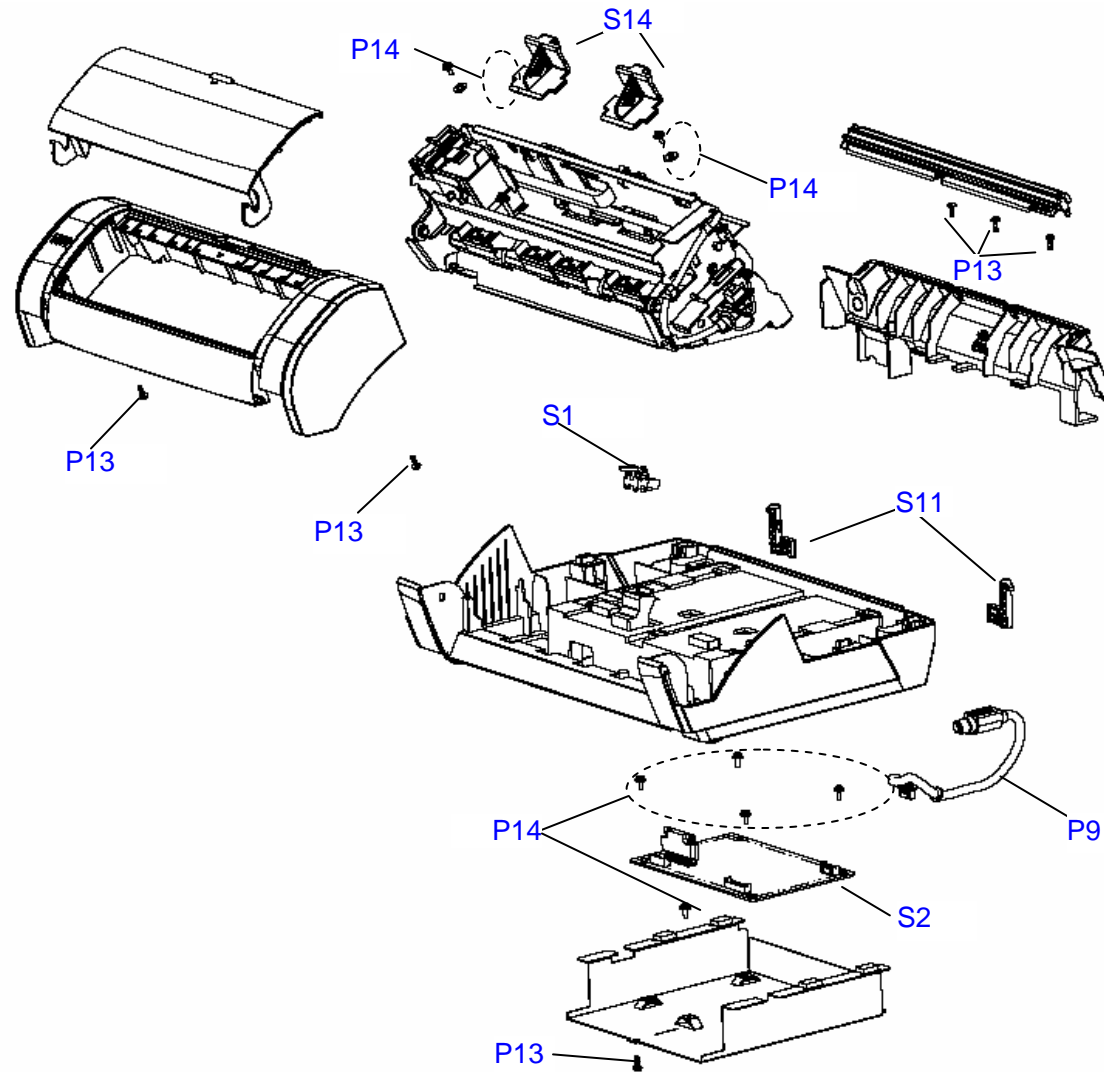
Figure 22 PACKAGE (fi-6240/fi-6230)

INDEX NO.	COMPOSITION & QUANTITY				SPECIFICATION	DESCRIPTION	REMARKS
S 33	1				PA03334-K920	AC ADAPTER	
S 34	1				PA63083-1831	AC CORDSET E	for -B501, -B551
S 35	1				PA63082-1831	AC CORDSET U	for -B502, -B505, -B552, -B555
S 37	1				PA63084-1831	AC CORDSET C	for -B507, -B557
S 38	1				PA63098-1831	AC CORDSET UK	for -B501, -B551
S 39	1				PA61001-0142	USB CABLE	
P -	4				PA03540-K100	SRK LYNX3	for -B505, -B555
P 46	1				PA97301-K485	PACKAGE L3	for -B501, -B502, -B505
P 48	1				PA97302-Y485	OUTER BOX L3FH	for -B501, -B502, -B505
P 50	1				PA97302-Y506	CUSHION TL FB	
P 51	1				PA97302-Y507	CUSHION TR FB	
P 52	1				PA97302-Y508	CUSHION BL FB	
P 53	1				PA97302-Y509	CUSHION BR FB	
P 46-1	1				PA97301-K486	PACKAGE L3 L	for -B551, -B552, -B555
P 48-1	1				PA97302-Y486	OUTER BOX L3FH	for -B551, -B552, -B555
P 50	1				PA97302-Y506	CUSHION TL FB	
P 51	1				PA97302-Y507	CUSHION TR FB	
P 52	1				PA97302-Y508	CUSHION BL FB	
P 53	1				PA97302-Y509	CUSHION BR FB	
P 47	1				PA97301-K505	PACKAGE L3 C	for -B507
P 49	1				PA97300-G055	OUTER BOX L3FH C	for -B507
P 50	1				PA97302-Y506	CUSHION TL FB	
P 51	1				PA97302-Y507	CUSHION TR FB	
P 52	1				PA97302-Y508	CUSHION BL FB	
P 53	1				PA97302-Y509	CUSHION BR FB	
P 47-1	1				PA97301-K506	PACKAGE L3 LC	for -B557
P 49-1	1				PA97300-G056	OUTER BOX L3FH C	for -B557
P 50	1				PA97302-Y506	CUSHION TL FB	
P 51	1				PA97302-Y507	CUSHION TR FB	
P 52	1				PA97302-Y508	CUSHION BL FB	
P 53	1				PA97302-Y509	CUSHION BR FB	

S: Recommended Spare Parts
P: Spare Parts for Repair

09	09.3.3	Yoshimoto	Miyoshi	Fujioka	Refre to REVISION RECORD.	TITLE	fi-6140/fi-6240/fi-6130/fi-6230/fi-614PR	
08	09.2.2	Okada	Anzai	Fujioka	Piece parts (P/N) changed.		ILLUSTRATED PARTS CATALOGUE	
10	09.6.10	Yoshimoto	Miyoshi	Fujioka	Refre to REVISION RECORD.	DRAW No.	P4PA03540-BXXX/6	
Rev	DATE	DESIG	CHECK	APPR	DESCRIPTION		PFU LIMITED	
DESIGN	07.7.2	Okada	CHECK	Okada	APPR	Anzai		

Figure 23 IMPRINTER (1/2)



S: Recommended Spare Parts
P: Spare Parts for Repair

09	09.3.3	Yoshimoto	Miyoshi	Fujioka	Refre to REVISION RECORD.	TITLE	fi-6140/fi-6240/fi-6130/fi-6230/fi-614PR	
08	09.2.2	Okada	Anzai	Fujioka	Piece parts (P/N) changed.		ILLUSTRATED PARTS CATALOGUE	
10	09.6.10	Yoshimoto	Miyoshi	Fujioka	Refre to REVISION RECORD.	DRAW No.	P4PA03540-BXXX/6	CUST
Rev	DATE	DESIG	CHECK	APPR	DESCRIPTION			
DESIGN	07.7.2	Okada	CHECK	Okada	APPR	Anzai		

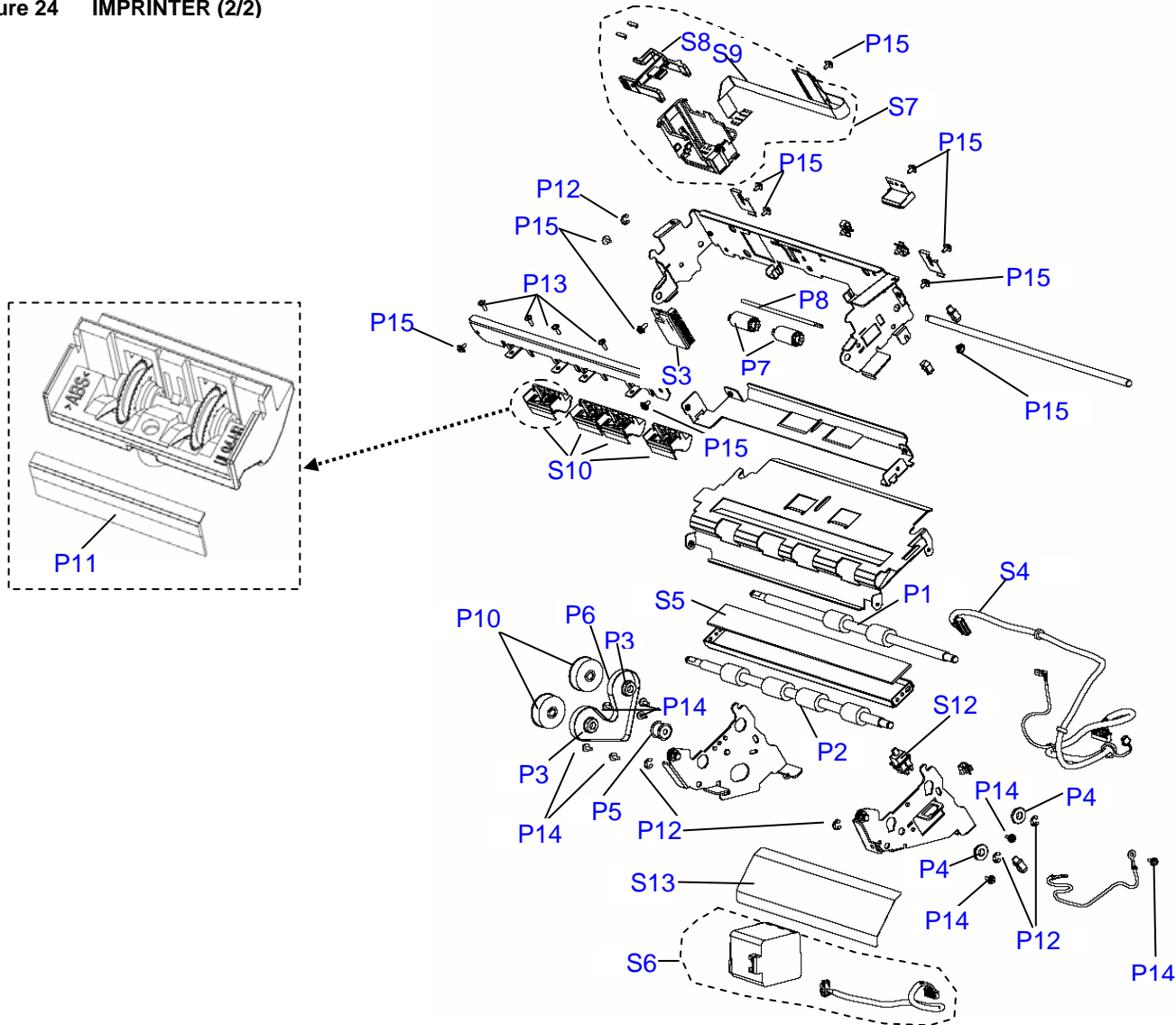
Figure 23 IMPRINTER (1/2)

INDEX NO.	COMPOSITION & QUANTITY				SPECIFICATION	DESCRIPTION	REMARKS
S 1	1				PA03334-D060	SENSOR	
S 2	1				PA03540-K926	IMP CT	
S 11	2				PA03540-F921	IM LOCK LEVER	
S 14	2				PA03540-Y766	PAPER GUIDE3	
P 9	1				PA70002-1190	IMP CABLE	
P 13	10				PA83952-5038	PT SCREW	
P 14	15				RU6SW2N3-08121	SCREW	

S: Recommended Spare Parts
P: Spare Parts for Repair

09	09.3.3	Yoshimoto	Miyoshi	Fujioka	Refre to REVISION RECORD.	TITLE	fi-6140/fi-6240/fi-6130/fi-6230/fi-614PR	
08	09.2.2	Okada	Anzai	Fujioka	Piece parts (P/N) changed.	ILLUSTRATED PARTS CATALOGUE		CUST
10	09.6.10	Yoshimoto	Miyoshi	Fujioka	Refre to REVISION RECORD.	DRAW No.	P4PA03540-BXXX/6	
Rev	DATE	DESIG	CHECK	APPR	DESCRIPTION	PFU LIMITED		
DESIGN	07.7.2	Okada	CHECK	Okada	APPR Anzai			

Figure 24 IMPRINTER (2/2)



S: Recommended Spare Parts
P: Spare Parts for Repair

09	09.3.3	Yoshimoto	Miyoshi	Fujioka	Refre to REVISION RECORD.	TITLE	fi-6140/fi-6240/fi-6130/fi-6230/fi-614PR	
08	09.2.2	Okada	Anzai	Fujioka	Piece parts (P/N) changed.		ILLUSTRATED PARTS CATALOGUE	
10	09.6.10	Yoshimoto	Miyoshi	Fujioka	Refre to REVISION RECORD.	DRAW No.	P4PA03540-BXXX/6	CUST
Rev	DATE	DESIG	CHECK	APPR	DESCRIPTION		PFU LIMITED	
DESIGN	07.7.2	Okada	CHECK	Okada	APPR	Anzai		

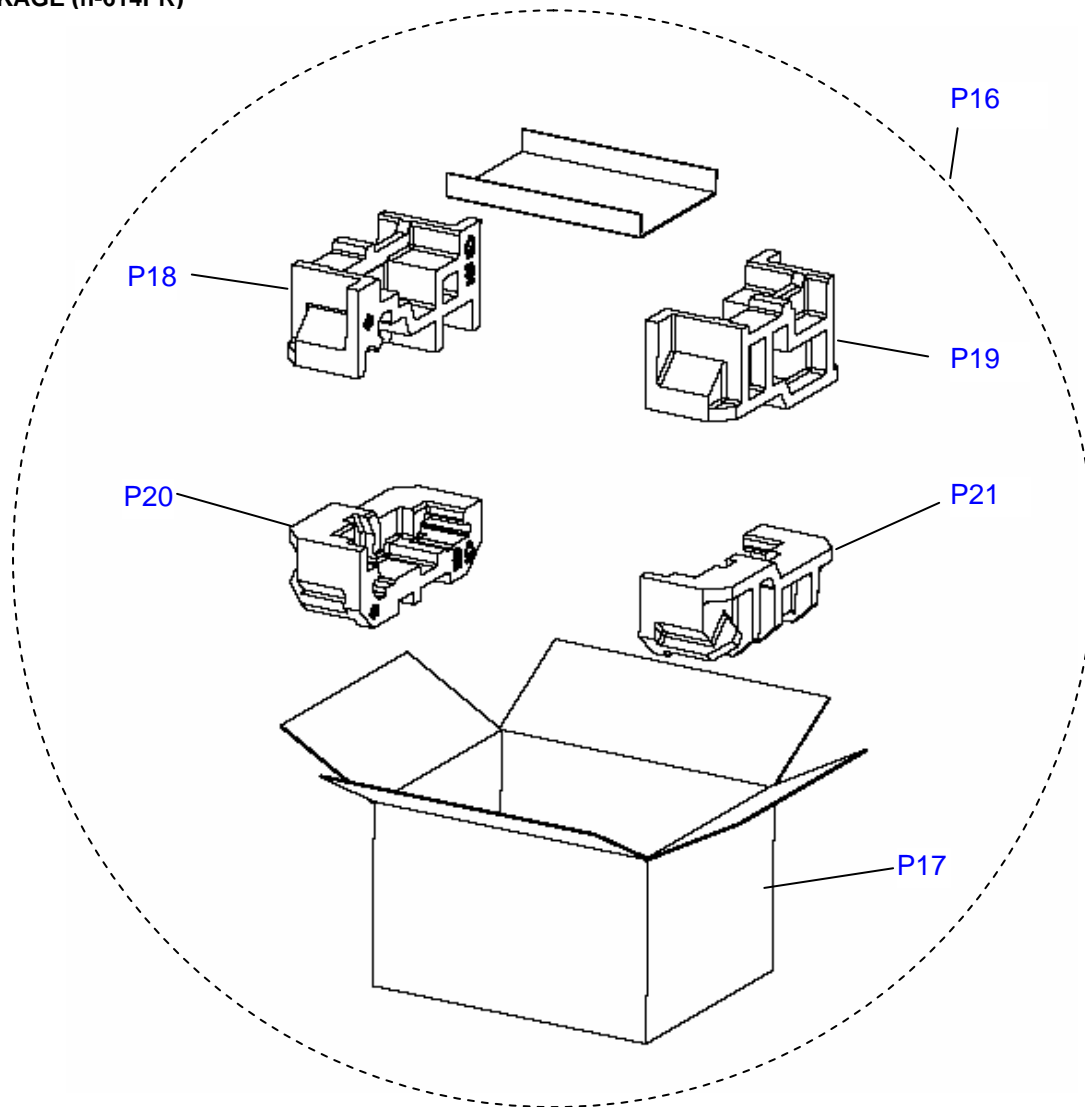
Figure 24 IMPRINTER (2/2)

INDEX NO.	COMPOSITION & QUANTITY				SPECIFICATION	DESCRIPTION	REMARKS
S	3	1			PA03334-K961	IMP JNT	
S	4	1			PA03289-F953	PR HARNESS	
S	5	1			PA03289-F954	IM FELT	
S	6	1			PA03540-F920	LF MOTOR	
S	7	1			PA03540-E971	IM HOLDER ASSY3	
S	8		1		PA03540-F922	IM HOLD LEVER3	
S	9		1		PA03334-F952	FPC CABLE	
S	10	4			PA03540-E970	IM PINCH ASSY3	
S	12	1			PA03484-K804	SWITCH	
S	13	1			PA03289-K910	GUIDE SHEET	
P	1	1			PA03289-Y613	IM LY F ROLLER	
P	2	1			PA03540-Y776	IM L3 E ROLLER	
P	3	2			U30L-8000-0012#F6002	BEARING	
P	4	2			PA02212-Y052	BEARING	
P	5	1			PA03289-Y508	ADJ PULLEY	
P	6	1			PA03951-0313	BELT	
P	7	2			PA03289-Y021	PINCH ROLLER	
P	8	1			PA03289-Y048	PINCH SHAFT	
P	10	2			PA03334-Y035	FEED PULLEY	
P	11		4		PA03540-Y790	IM J SHEET	
P	12	5			PA83952-4606	E RING	
P	13	10			PA83952-5038	PT SCREW	
P	14	15			RU6SW2N3-08121	SCREW	
P	15	11			U30L-0010-0030#M3X5	SCREW	

S: Recommended Spare Parts
 P: Spare Parts for Repair

09	09.3.3	Yoshimoto	Miyoshi	Fujioka	Refere to REVISION RECORD.	TITLE	fi-6140/fi-6240/fi-6130/fi-6230/fi-614PR	
08	09.2.2	Okada	Anzai	Fujioka	Piece parts (P/N) changed.		ILLUSTRATED PARTS CATALOGUE	
10	09.6.10	Yoshimoto	Miyoshi	Fujioka	Refere to REVISION RECORD.	DRAW No.	P4PA03540-BXXX/6	CUST
Rev	DATE	DESIG	CHECK	APPR	DESCRIPTION		PFU LIMITED	
DESIGN	07.7.2	Okada	CHECK	Okada	APPR	Anzai		

Figure 25 PACKAGE (fi-614PR)



S: Recommended Spare Parts
P: Spare Parts for Repair

09	09.3.3	Yoshimoto	Miyoshi	Fujioka	Refere to REVISION RECORD.	TITLE	fi-6140/fi-6240/fi-6130/fi-6230/fi-614PR	
08	09.2.2	Okada	Anzai	Fujioka	Piece parts (P/N) changed.		ILLUSTRATED PARTS CATALOGUE	
10	09.6.10	Yoshimoto	Miyoshi	Fujioka	Refere to REVISION RECORD.	DRAW No.	P4PA03540-BXXX/6	CUST
Rev	DATE	DESIG	CHECK	APPR	DESCRIPTION		PFU LIMITED	
DESIGN	07.7.2	Okada	CHECK	Okada	APPR	Anzai		

Figure 25 PACKAGE (fi-614PR)

INDEX NO.	COMPOSITION & QUANTITY	SPECIFICATION	DESCRIPTION	REMARKS
P 16	1	PA97301-K491	PACKAGE	
P 17	1	PA97302-Y491	OUTER BOX I	
P 18	1	PA97302-Y511	CUSHION TL IMP	
P 19	1	PA97302-Y512	CUSHION TR IMP	
P 20	1	PA97302-Y513	CUSHION BL IMP	
P 21	1	PA97302-Y514	CUSHION BR IMP	

09	09.3.3	Yoshimoto	Miyoshi	Fujioka	Refre to REVISION RECORD.	TITLE	fi-6140/fi-6240/fi-6130/fi-6230/fi-614PR ILLUSTRATED PARTS CATALOGUE
08	09.2.2	Okada	Anzai	Fujioka	Piece parts (P/N) changed.		
10	09.6.10	Yoshimoto	Miyoshi	Fujioka	Refre to REVISION RECORD.	DRAW No.	P4PA03540-BXXX/6
Rev	DATE	DESIG	CHECK	APPR	DESCRIPTION		PFU LIMITED
DESIGN	07.7.2	Okada	CHECK	Okada	APPR	Anzai	

Figure 26 PT SCREW

INDEX NO.	SPECIFICATION	DESCRIPTION	M	I
P 32	PA83952-5038	PT SCREW	3	8

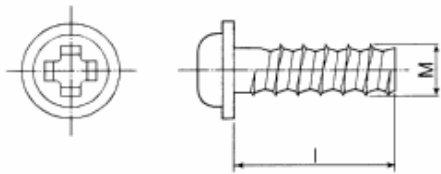
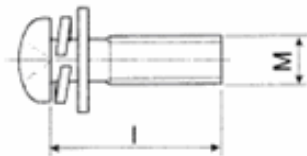


Figure 27 SCREW

INDEX NO.	SPECIFICATION	DESCRIPTION	M	I
P 33	RU6SW2N3-08121	SCREW	3	8



09	09.3.3	Yoshimoto	Miyoshi	Fujioka	Refere to REVISION RECORD.	TITLE	fi-6140/fi-6240/fi-6130/fi-6230/fi-614PR ILLUSTRATED PARTS CATALOGUE
08	09.2.2	Okada	Anzai	Fujioka	Piece parts (P/N) changed.		
10	09.6.10	Yoshimoto	Miyoshi	Fujioka	Refere to REVISION RECORD.	DRAW No.	P4PA03540-BXXX/6 CUST
Rev	DATE	DESIG	CHECK	APPR	DESCRIPTION		
DESIGN	07.7.2	Okada	CHECK	Okada	APPR	Anzai	PFU LIMITED

Figure 28 SCREW

INDEX NO.	SPECIFICATION	DESCRIPTION	M	L
P 34	CA98001-8785	SCREW	4#40	5

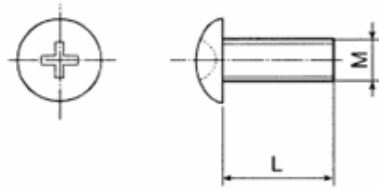
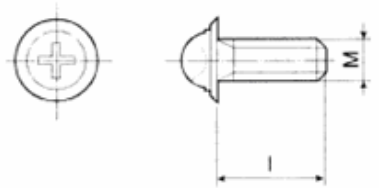


Figure 29 SCREW

INDEX NO.	SPECIFICATION	DESCRIPTION	M	L
P 35	RU6SNA3-06121	SCREW	3	6



09	09.3.3	Yoshimoto	Miyoshi	Fujioka	Refere to REVISION RECORD.	TITLE	fi-6140/fi-6240/fi-6130/fi-6230/fi-614PR ILLUSTRATED PARTS CATALOGUE
08	09.2.2	Okada	Anzai	Fujioka	Piece parts (P/N) changed.		
10	09.6.10	Yoshimoto	Miyoshi	Fujioka	Refere to REVISION RECORD.	DRAW No.	P4PA03540-BXXX/6 CUST
Rev	DATE	DESIG	CHECK	APPR	DESCRIPTION		
DESIGN	07.7.2	Okada	CHECK	Okada	APPR	Anzai	PFU LIMITED

Figure 30 E RING

INDEX NO.	SPECIFICATION	DESCRIPTION	D	d	H	t
P 36	PA83952-4605	E RING	7	3	2.6	0.6

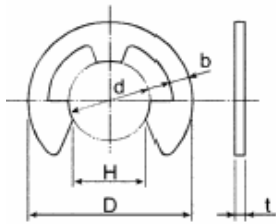


Figure 31 SCREW

INDEX NO.	SPECIFICATION	DESCRIPTION	M	L
	U30L-0010-0030#M3x5	SCREW	3	5

